



# Ode Brew Grinder

## Safety and Maintenance

# Ode Brew Grinder

Fellow Industries Inc.  
Fellowproducts.com  
Email: [hello@fellowproducts.com](mailto:hello@fellowproducts.com)  
San Francisco, CA 94110

Product name: Ode Brew Grinder | Patents pending  
1-year limited warranty | Designed in San Francisco, made in China

Model	Specifications
BGAAEU	220V   50Hz   150W   Weight: 4.5kg/9.9lbs   Dimensions (LxWxH): 9.4in (239mm) x 4.2in (105mm) x 9.5in (241.5mm)   Grinds capacity: 80g   Cord length: 39.3in (1m)



**HOUSEHOLD USE ONLY  
SAVE THESE INSTRUCTIONS**

More info at [Fellowproducts.com/odemanual](https://Fellowproducts.com/odemanual)

**READ ALL INSTRUCTIONS.  
DO NOT THROW AWAY THIS SAFETY GUIDE.**

**WARNING!**

**Shock Hazard:** This appliance has a grounded, three-pronged plug. To ensure protection against risk of electric shock or fire, connect to properly grounded outlets only. The plug fits only one way into an outlet. Do not defeat the safety purpose of the plug by modifying the plug in any way or using an adapter. Do not plug this appliance into an outlet with a voltage other than specified on the bottom of this appliance.

Do not use an adapter with this appliance.

A short power supply cord is provided to reduce the risk of becoming entangled in or tripping over a longer cord. If a longer cord is necessary, an approved extension cord may be used. The electrical rating of the extension cord must be equal to or greater than the rating of this appliance. Take care to arrange the extension cord to not drape over the countertop or tabletop where it can be pulled on by children or tripped over. To avoid an electrical circuit overload, do not use any high wattage appliance on the same circuit with this appliance.

**IMPORTANT SAFEGUARDS**

**Before use, please read these safety warnings carefully and use the grinder properly. These safety warnings are indicated for the safe and proper use of this product to prevent danger to the user or others and damage to property. When using electrical appliances, basic safety precautions should always be followed, including the following:**

After unpacking the grinder, dispose carefully of the plastic bags and other packaging so that children and others cannot reach them.

This appliance has a grounded, three-pronged plug and must be grounded with a three-pronged outlet when in use. To ensure protection against risk of electric shock or fire, connect to properly grounded outlets only.

Do not immerse cord, plug, or any other part of the grinder in water or other liquid.

The use of accessory attachments is not recommended by Fellow as it may result in fire, electric shock, or personal injury.

Use only with AC current and the correct voltage. Ensure that your main supply voltage is the same as that marked on the underside of your grinder. To avoid an electrical overload, do not operate another high-wattage appliance on the same circuit.

Never leave the grinder unattended when in use. Close supervision is necessary when any appliance is used by or near children. Do not use within a child's reach.

This appliance is not intended for use by persons (including children) with reduced physical, sensory, or mental capabilities, or lack of experience and knowledge, unless they have been given supervision or instruction concerning use of the appliance by a person responsible for their safety.

Grinder must be operated on a dry, flat surface away from the edge of the counter to prevent accidental tipping. Vibration during operation may cause the grinder to move.

Do not place where the grinder could touch any other source of heat. For example, on or near a hot gas burner or electric burner, in a heated oven, or in a microwave.

Avoid contact with moving parts of the grinder.

Do not tamper with the finger guard covering the electrically grounded chute.

Never move the grinder while the unit is in use.

Check the load bin for any foreign objects that are not coffee beans before using.

Do not put any substances other than coffee beans and grinder cleaner into the grinder.

Use only whole bean coffee in the grinder. Do not put coffee that has already been ground into the grinder. Re-grinding coffee that has already been ground can cause your grinder to wear out faster and will void the warranty.

Unplug from outlet when not in use and before cleaning. Allow parts to stop moving before cleaning the grinder. Do not use the grinder without lid properly placed on load bin.

Only clean the outside of the grinder with a damp cloth.

Take care to not tip grinder, this could damage the knocker and internal components.

To unplug, grasp plug and remove from the outlet. Never pull on the cord.

Do not let cord hang over the edge of a table or counter.

Do not operate the grinder with a damaged cord or plug, if the grinder malfunctions, or if the product has been damaged in any manner.

If the supply cord is damaged, it must be replaced by the manufacturer, its service agent or similarly qualified persons in order to avoid a hazard.

Disassemble your grinder only as directed in the "Cleaning and Storage" section of this manual. If you're having trouble with jamming or any other issues, check help.fellowproducts.com and visit our FAQ page.

Do not use for any purpose other than grinding whole bean coffee.

This appliance is intended for household use only. Use for anything other than intended use will void the one-year warranty.

Do not use outdoors.

Do not place any utensils into the grinder or grind chute.

This product contains neodymium magnets. Children should NEVER be allowed to play with NEODYMIUM magnets. Even relatively small magnets can cause serious injury if swallowed. Always keep all neodymium magnets out of the reach of children.

Always keep a safe distance (at least 10cm) between magnets and all objects that can be damaged by magnetism and remember, neodymium magnets are ten times stronger than 'ordinary' magnets! Items such as mechanical watches, heart pacemakers, CRT monitors and televisions, credit cards, diskettes and other magnetically stored media such as video tapes are all affected by powerful magnets.

Do not use the magnetic catch on top of an electronic scale. The magnetic catch may interfere with the accuracy of or even damage an electronic scale. It is not recommended to use the magnetic catch on top of an electronic scale.

To reduce the risk of fire or electric shock, do not remove bottom cover from base or disassemble base of the grinder in any way. There are no user-serviceable parts inside. Repair should be done by authorized service personnel only. Opening base of the grinder will result in a void of the one-year warranty.

Do not operate in the presence of explosive and/or flammable fumes.

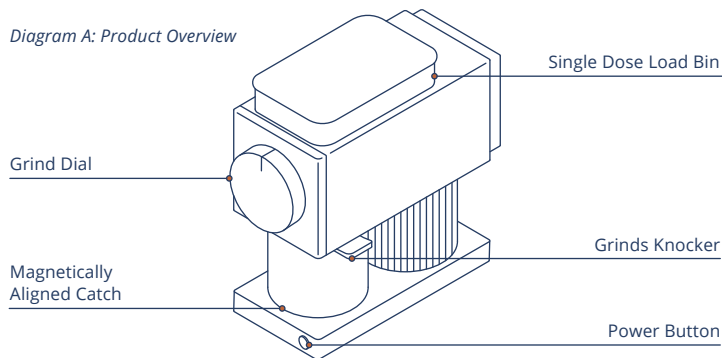
For proper use, operate this appliance for less than 90 seconds per time with a minimum of 90 seconds rest time maintained between a continuous two cycles.

The grinder can not work for 6 minutes continuously within 10 minutes, and it must rest for 30 minutes if the working time exceeds 6 minutes.

## SAVE THESE INSTRUCTIONS HOUSEHOLD USE ONLY

### CLEANING AND USE

Diagram A: Product Overview



### CAUTION!

Please read all use instructions fully before turning on and using your grinder.

Do not use abrasive pads, harsh chemicals, or spray cleaner chemicals to clean. These may damage the surface of the appliance.

Do not put any part of your grinder in the dishwasher.

## Before Use

Remove and recycle or discard all stickers, descriptive labels, cable ties and packing materials, including static stickers and hang tags with ties.

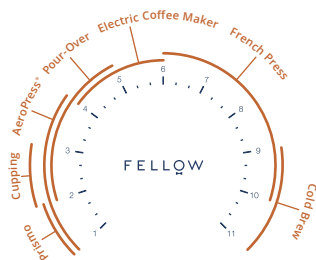
Before cleaning, we recommend running the grinder for 10 seconds without coffee beans to help clear beans/grounds from the burrs and grinds chute.

Always unplug power cord from power outlet before cleaning.

Wipe body of the grinder with a soft, damp cloth. Wipe down magnetically aligned catch and catch lid and dry thoroughly.

Place grinder on a level surface and plug into a correct voltage.

Diagram B: Grind Guide



## How To Use

1. Select grind size by twisting the grinds dial to the left or right (1 = fine, 11 = coarse). See our Grind Guide (Diagram B) to help make your selection.

*Please do not use setting 1 for your first 10 lbs of coffee as the burrs will “chirp” and hit each other. Your grinder arrives calibrated with its “zero point” (the setting where burrs touch) at setting 1. As the burrs are seasoned, the burrs touch setting will drift slightly which is normal and as such you should expect the settings to shift slightly coarser. (For more information on burrs touching/zero point please see page 14).*

2. Remove the lid from the single dose load bin by lifting off.
3. Pour the desired quantity of roasted whole coffee beans into the load bin up to a maximum of 80g / 2.8oz. Replace the lid. Ensure the catch is fully beneath the chute and is empty.

*Do not grind more than 80g of coffee without emptying the catch. Allowing the catch to overfill can jam the grinder.*

4. Press power button. The grinder will start grinding and stop automatically once your beans are done grinding. OR press and hold the power button for more than 1.5 seconds. The grinder will grind until the button is released.

## General Cleaning

If the grinder is used daily, the burrs should be cleaned at least every three months using tablets (see below for Automatic Cleaning) or with a stiff brush.

To clean burrs, remove the burrs following the instructions in the **“Removing and Replacing Burrs”** section.

Do not immerse the grinder in water. Do NOT wash the burrs with water.

Never place fingers into the grind chute while product is plugged in.

Using the provided brush, gently brush coffee dust off of the burrs and replace burrs following the instructions in the **“Removing and Replacing Burrs”** section.

To wash the catch, wipe gently with a soft cloth and warm soapy water. Dry with a dry cloth after cleaning.

Wipe grinder exterior and load bin with a soft, damp cloth.

## Automatic Cleaning

A fast way to clean your grinder is using grinder cleaning tablets like Urnex Grindz™ grinder cleaning tablets. These are designed to prevent clogging by freeing coffee particles stuck to the burrs and absorbing/removing odors and coffee oil residue.

To use cleaning tablets, make sure all beans are run through your grinder by running it for 10-20 seconds. Use the cleaning tablet instructions to place appropriate amount into grinder. Adjust the grind setting to 11 and press the power button to run the grinder. Grind all of the tablets into the catch. Once complete, we recommend grinding approximately 30g coffee to remove any tablet residue. Discard the ground tablets/ coffee from the catch and clean.

## MAINTENANCE

### Clearing a Jammed Grinder

On occasion, Ode Brew Grinder may become jammed and stop grinding. When this occurs, the grinder will stop grinding before it has finished all the coffee in the hopper and beep "SOS" (save our ship).

#### Minor jams can be cleared as follows:

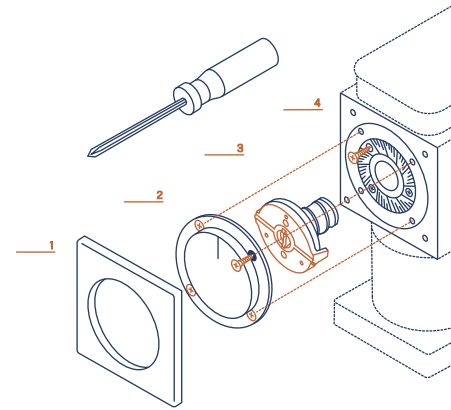
1. Check that the catch is empty. Turn the grinds dial to setting 11.
2. Tap the grinder firmly on the side several times and shake.
3. Press the power button and continue to firmly tap the side of the grinder for several seconds. If grinding resumes, the jam is cleared. If not, proceed to the instructions for clearing a major jam.

#### Major jams can be cleared as follows:

1. Unplug the grinder.
2. Remove the burrs as instructed in the "Removing and Replacing Burrs" section of this manual.
3. Clear coffee from the grinds chamber and discard.
4. Inspect burrs for coffee beans or foreign materials (rocks, sticks, unroasted coffee bean, etc.) that may be stuck. Remove stuck coffee beans and clean burrs as instructed in the "Cleaning" section of this manual.
5. Reinstall burrs. Run grinder without coffee for 5 seconds to check that it operates as expected. The grinder should spin quietly and at an even speed. If the grinder is making an unexpected noise, repeat this process and carefully inspect to ensure that all coffee particles have been cleared out. If the problem persists, please contact Fellow customer service.

For more help, visit [fellowproducts.com/odemanual](https://fellowproducts.com/odemanual).

Diagram C: Exploded View

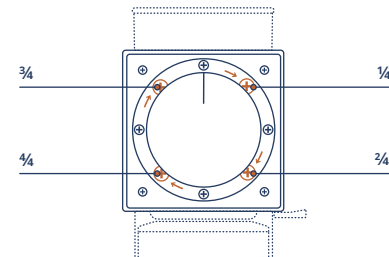


### Removing and Replacing The Grinding Burrs

**CAUTION: The Grinding Burrs are sharp, please handle carefully!**

1. Unplug your grinder and empty it of coffee.
2. Start by removing the faceplate of the grinder. The faceplate simply snaps on and off. Pull gently on the faceplate for it to snap off.
3. Using a Phillips-head screwdriver, unscrew the four larger size screws that have arrows pointing to them. See *Diagram D* for reference.

Diagram D



4. Pull on grind dial to remove the grinds dial assembly..
5. Carefully remove the rotational burr/auger (the burr closest to you), auger key, and spring from the grinds chamber by pressing in. Take care not to lose any pieces as you remove. See *Diagram E and F* for reference.

Diagram E

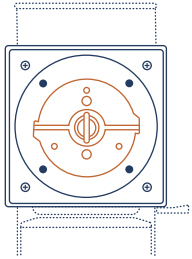
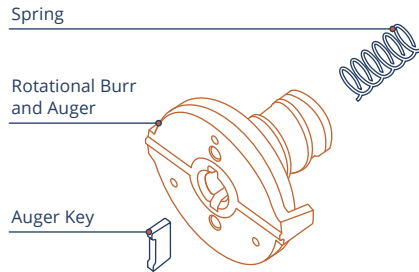


Diagram F



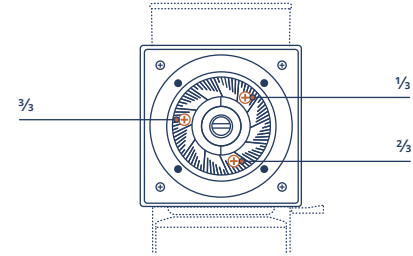
If you are just cleaning, do not disassemble the burrs further. Using the provided brush, gently brush coffee dust off of the burrs and replace burrs.

If you are replacing the burrs, continue onto the next steps.

6. The stationary burr is attached to the grinds chamber. To remove the stationary burr, start by using a Phillips-head screwdriver to remove the three screws that hold it in place. If there is ground coffee in these screws that interferes with their removal, use a small brush to clear the ground coffee before attempting to remove the screws.

Carefully remove the stationary burr. *Diagram G*

Diagram G



7. The rotational burr is attached to the auger. To remove the rotational burr, start by using a Phillips-head screwdriver to remove the three screws that hold it in place. If there is ground coffee in these screws that interferes with their removal, use a small brush to clear the ground coffee before attempting to remove the screws. *Diagram H and I*

8. Carefully lift the rotational burr away from the auger.

To replace the burrs, repeat these steps in reverse order.

Make sure that the rotational burr is reattached to the auger and that the stationary burr is reattached to the grinds chamber.

Diagram H

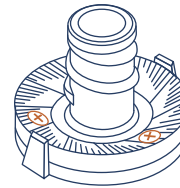
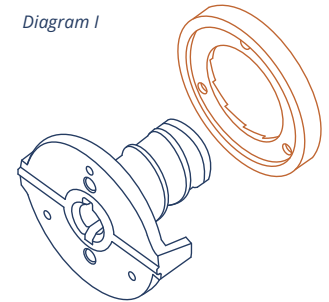


Diagram I



## Calibrating your Ode Brew Grinder

Ode Brew Grinder is designed for brewing coffee and cannot grind fine enough for most espresso-machines. However, if you like to grind finely for AeroPress® Coffee Maker, Prismo, Hario V60, or other brewing methods, you may want to make sure that the where the burrs touch, or "zero point", of your grinder is correctly calibrated to better achieve this range.

Your grinder arrives calibrated with its burrs touching at setting 1. As the burrs are seasoned, the burrs touch setting will drift slightly which is normal and as such you should expect the settings to shift slightly coarser. Please do not use setting 1 for your first 10 lbs of coffee as the burrs will "chirp" and hit each other.

Upon arrival, the burrs chirping at setting 1 indicates your grinder is calibrated. Calibrated grinders match grinds output across all settings. This helps keep the grinding performance consistent over the life of your grinder. If you can't hear the burrs chirping at setting 1 when your grinder first arrives, then your grind size will be coarser than a calibrated grinder at the same setting.

To watch videos on how to calibrate, please go to [Fellowproducts.com/odemanual](https://fellowproducts.com/odemanual)

## Correct Disposal of This Product



This marking indicates that this product should not be disposed with other household wastes throughout the EU. To prevent possible harm to the environment or human health from uncontrolled waste disposal, recycle it responsibly to promote the sustainable reuse of material resources. To return your used device, please use the return and collection systems or contact the retailer where the product was purchased. They can take this product for environmental safe recycling.

Find more information at:  
[Fellowproducts.com/odemanual](https://fellowproducts.com/odemanual)

## WARRANTY

For service, repair, or any questions regarding your Ode Brew Grinder, please visit [help.fellowproducts.com](https://help.fellowproducts.com) and submit a request. Do NOT mail the product back to the manufacturer or bring it to a service center without first talking to a Fellow customer service representative.

### One-year limited warranty

Fellow warrants this product against any defects that are due to faulty material or workmanship for a one-year period after the original date of consumer purchase.

### This warranty is valid only for:

The original consumer.

When the grinder is purchased through authorized retailers.

With the original sales receipt for proof of purchase to make your warranty claim.

### This warranty does not include damage to the product resulting from:

Accident, misuse, or repairs performed by unauthorized personnel.

Operation with the wrong type of current or voltage.

Failure to follow cleaning instructions for the grinder.

Failure to comply with any safeguards listed in the warnings and instructions of this document.

Grinding anything other than whole roasted coffee beans.

If the product should become defective within the warranty period, or you have questions regarding warranty or service, visit us at [help.fellowproducts.com](https://help.fellowproducts.com) and submit a request.



# Moulin à café Ode

Fellow Industries Inc.  
Fellowproducts.com  
Adresse e-mail : [hello@fellowproducts.com](mailto:hello@fellowproducts.com)  
San Francisco, CA 94110, États-Unis

Nom du produit : Moulin à café Ode | Brevets en cours  
Garantie d'un an | Conçu à San Francisco, fabriqué en Chine

Modèle	Caractéristiques
BGAAEU	220 V   50 Hz   150 W   Poids : 4,5 kg   Dimensions (LxPxH) : 239 mm x 105 mm x 241,5 mm   Capacité de mouture : 80 g   Longueur du cordon : 1 m



**À USAGE DOMESTIQUE UNIQUEMENT  
MANUEL À CONSERVER**

Plus d'informations sur [Fellowproducts.com/odemannual](https://Fellowproducts.com/odemannual)

## LISEZ TOUTES LES INSTRUCTIONS. NE JETEZ PAS CE MANUEL.

### AVERTISSEMENT !

Risque d'électrocution : cet appareil est doté d'une fiche à trois broches mise à la terre. Pour vous protéger contre les risques de choc électrique ou d'incendie. Branchez la fiche uniquement sur une prise de terre. La fiche ne s'insère que dans un sens dans une prise. Ne modifiez pas les dispositifs de sécurité de la fiche en la modifiant de quelque manière que ce soit ou en utilisant un adaptateur. Ne branchez pas cet appareil sur une prise dont la tension de sortie ne correspond pas à celle spécifiée sur le dessous de l'appareil.

N'utilisez pas d'adaptateur avec cet appareil.

Un cordon d'alimentation court est fourni pour réduire le risque de s'empêtrer ou de trébucher sur un cordon plus long. Si vous avez besoin d'un cordon plus long, vous pouvez utiliser une rallonge homologuée. La puissance électrique de la rallonge doit être égale ou supérieure à la valeur nominale de cet appareil. Veillez à ne pas placer la rallonge en hauteur afin d'éviter que des enfants ne tirent sur celle-ci et tout trébuchement. Afin d'éviter une surcharge électrique, n'utilisez aucun autre appareil à haute puissance sur le même circuit.

### PRÉCAUTIONS IMPORTANTES

Avant utilisation, veuillez lire attentivement ces avertissements de sécurité et utiliser le broyeur correctement. Ces avertissements de sécurité sont indiqués pour une utilisation sûre et correcte de ce produit afin d'éviter tout danger pour l'utilisateur ou d'autres personnes et des dommages matériels. Lors de l'utilisation d'appareils électroménagers, des précautions de sécurité de base doivent toujours être suivies, notamment :

Après avoir déballé le moulin, jetez soigneusement les sacs en plastique et autres emballages afin que les enfants et autres ne puissent pas y avoir accès.

Cet appareil a une prise à trois broches avec mise à la terre qui doit être connectée correctement avec une prise correspondante lors de l'utilisation. Pour assurer une protection contre les risques électriques ou incendie, connectez uniquement à des prises correctement mises à la terre.

N'immergez pas le cordon, la fiche ou toute autre partie du broyeur dans l'eau ou un autre liquide.

L'utilisation d'accessoires n'est pas recommandée par FELLOW car elle peut entraîner un incendie, un choc électrique ou des blessures.

Utilisez uniquement avec du courant alternatif et la tension correcte. Assurez-vous que votre tension est la même que celle indiquée sur le dessous de votre broyeur. Afin d'éviter une surcharge électrique, n'utilisez aucun autre appareil à haute puissance sur le même circuit.

Ne laissez jamais l'appareil sans surveillance lors de son utilisation. Une surveillance étroite est nécessaire lorsque l'appareil est utilisé par ou à proximité d'enfants. N'utilisez pas l'appareil à portée d'un enfant.

Cet appareil n'est pas destiné à être utilisé par des personnes (y compris des enfants) n'étant pas en pleine possession de leurs moyens, ou qui manquent d'expérience et de connaissances, sauf s'ils ont reçu une supervision ou des instructions concernant l'utilisation de l'appareil par une personne responsable de leur sécurité.

Le broyeur doit être utilisé sur une surface sèche et plate, loin du bord du comptoir afin d'éviter un basculement accidentel. Les vibrations pendant le fonctionnement peuvent faire bouger le broyeur.

Ne le placez pas dans un endroit où le broyeur pourrait toucher une autre source de chaleur. Par exemple, sur ou à proximité d'un brûleur à gaz chaud ou d'un brûleur électrique, dans un four chauffé ou un micro-ondes.

Évitez tout contact avec les pièces mobiles du broyeur.

Ne modifiez pas le protège-doigts recouvrant la goulotte mise à la terre.

Ne déplacez jamais le broyeur lorsqu'il est en fonctionnement.

Vérifiez que le bac de chargement ne contient rien d'autre que du café en grains avant toute utilisation.

Ne mettez pas de substances autres que des grains de café et le nettoyant pour moulin dans le broyeur.

Utilisez uniquement du café en grains dans le broyeur. Ne mettez pas de café qui a déjà été moulu dans le broyeur. Moudre du café qui a déjà été moulu peut provoquer une usure précoce du broyeur et annulera la garantie.

Débranchez-le de la prise lorsqu'il n'est pas utilisé et avant de le nettoyer. Laissez les différentes pièces mobiles se mettre à l'arrêt avant de nettoyer le broyeur. N'utilisez pas le broyeur sans son couvercle correctement placé sur le bac de chargement.

Nettoyez uniquement l'extérieur du broyeur avec un chiffon humide.

Veillez à ne pas faire basculer le broyeur, cela pourrait endommager le marteau et les composants internes.

Pour le débrancher, saisissez la prise et retirez-la de la prise. Ne tirez jamais sur le cordon.

Ne laissez pas le cordon pendre sur le bord d'une table ou d'un comptoir.

N'utilisez pas le broyeur avec un cordon ou une fiche endommagée, si le moulin fonctionne mal, ou si le produit a été endommagé de quelque manière que ce soit.

Si le cordon d'alimentation est endommagé, il doit être remplacé par le fabricant, un représentant du service client ou tout autre personne habilitée pour éviter tout danger.

Démontez votre moulin uniquement comme indiqué dans la section "« **Nettoyage et stockage** » de ce manuel. Si vous rencontrez des problèmes de bourrage ou tout autre problème, visitez la page [help.fellowproducts.com](http://help.fellowproducts.com) et notre FAQ.

N'utilisez pas l'appareil à d'autres fins que la mouture du café en grains.

Cet appareil est destiné à un usage domestique uniquement. Tout autre usage annulera la garantie d'un an.

N'utilisez pas l'appareil à l'extérieur.

Ne placez aucun ustensile dans le broyeur ou la goulotte de broyage.

Ce produit contient des aimants en néodyme. Les enfants ne doivent JAMAIS être autorisés à jouer avec des aimants en néodyme. Même des aimants relativement petits peuvent provoquer des blessures graves en cas d'ingestion. Gardez toujours tous les aimants en néodyme hors de portée des enfants.

Gardez toujours une distance de sécurité (au moins 10 cm) entre les aimants et tout autre objet sensible aux champs magnétiques et rappelez-vous que les aimants en néodyme sont dix fois plus puissants que les aimants « ordinaires » ! Les objets tels que les montres mécaniques, pacemakers, moniteurs CRT, téléviseurs, cartes de crédit, disquettes et autres supports de stockage magnétiques, comme les cassettes vidéo, sont tous affectés par des aimants puissants.

N'utilisez pas le loquet magnétique au-dessus d'une balance électronique. La prise magnétique peut interférer avec la précision ou même endommager une balance électronique. Il n'est pas recommandé d'utiliser le loquet magnétique au-dessus d'une balance électronique.

N'utilisez pas l'appareil en présence de fumées explosives et/ou inflammables.

Pour réduire le risque d'incendie ou de choc électrique, ne retirez pas le couvercle inférieur de la base et ne démontez pas la base du broyeur de quelque façon que ce soit. Il ne contient aucune pièce réparable par l'utilisateur. La réparation doit être effectuée uniquement par du personnel de service autorisé. L'ouverture de la base du broyeur entraînera l'annulation de la garantie d'un an.

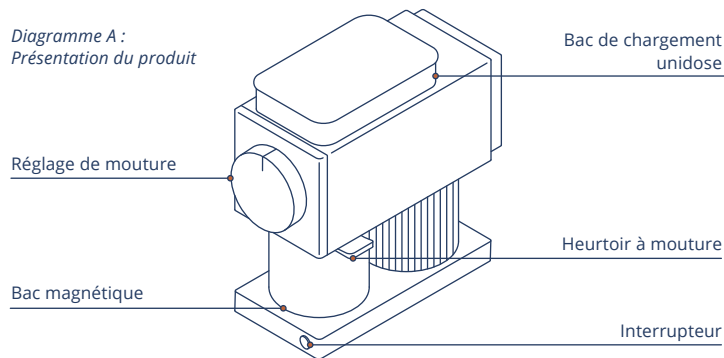
Pour une utilisation correcte, faites fonctionner cet appareil moins de 90 secondes et laissez un minimum de 90 secondes de temps de repos entre deux cycles continus.

Le moulin ne peut pas fonctionner pendant plus 6 minutes sur une période de 10 minutes, et il doit reposer pendant 30 minutes si le temps de travail dépasse 6 minutes.

## MANUEL À CONSERVER À USAGE DOMESTIQUE UNIQUEMENT

### NETTOYAGE ET UTILISATION

Diagramme A :  
Présentation du produit



## MISE EN GARDE !

Veillez lire attentivement toutes les instructions d'utilisation avant d'allumer et d'utiliser votre moulin.

N'utilisez pas de tampons abrasifs, de produits chimiques agressifs ou de produits chimiques de nettoyage en aérosol pour nettoyer votre moulin. Cela pourrait endommager la surface de l'appareil.

Ne mettez aucune pièce de votre moulin au lave-vaisselle.

### Avant utilisation

Retirez et recyclez ou jetez tous les autocollants, étiquettes descriptives, attaches de câble et matériaux d'emballage, y compris les autocollants statiques et les étiquettes volantes avec attaches.

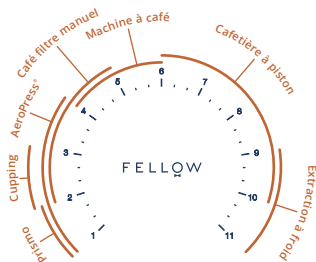
Avant le nettoyage, nous vous recommandons de faire fonctionner le broyeur pendant 10 secondes sans grains de café pour éliminer les grains et le marc des meules et des de la goulotte de broyage.

Débranchez toujours le cordon d'alimentation de la prise de courant avant de nettoyer l'appareil.

Essayez le corps du broyeur avec un chiffon doux et humide. Essayez le bac magnétique et le couvercle et séchez-les bien.

Placez le moulin sur une surface plane et branchez-le sur une prise dont la tension est adaptée.

Diagramme B :  
Réglage de mouture



### Mode d'emploi

1. Sélectionnez la taille de mouture en tournant le réglage de mouture vers la gauche ou la droite (1 = fin, 11 = grossier). Consultez notre guide de mouture (diagramme B) pour vous aider à faire votre choix.

*N'utilisez pas le réglage 1 pour vos 5 premiers kilos de café, car les dents " grinceront " et se heurteront l'une l'autre. Votre moulin est livré calibré au « point zéro » (réglage où les meules se touchent) au réglage 1. Ce réglage variera légèrement au fur et à mesure de l'utilisation. Par conséquent, il est normal que la mouture soit de plus en plus grossière. (Pour plus d'informations sur les meules qui se touchent/le point zéro, voir page 28.)*

2. Retirez le couvercle du bac de chargement unidose en le soulevant.
3. Versez la quantité souhaitée de grains de café entiers torréfiés dans le bac de chargement jusqu'à un maximum de 80 g. Remettez le couvercle. Assurez-vous que le bac de est placée en dessous et est vide.  
  
*Ne broyez pas plus de 80 g de café sans vider le bac de récupération. Ne laissez pas le bac trop se remplir, car cela peut bloquer le moulin.*
4. Appuyez sur le bouton d'alimentation. Le moulin commencera à broyer et s'arrêtera automatiquement une fois vos grains moulus. OU maintenez enfoncé le bouton d'alimentation pendant plus d'une seconde et demie. Le moulin broiera les grains jusqu'à ce que vous relâchiez le bouton.

### Nettoyage général

Si le moulin est utilisé quotidiennement, les meules doivent être nettoyées au moins tous les trois mois en utilisant des pastilles de nettoyage (voir ci-dessous pour le nettoyage automatique) ou avec une brosse dure.

Pour nettoyer les meules, retirez-les en suivant les instructions de la Section « Retrait et remplacement des meules ».

N'immergez pas le moulin dans l'eau. Ne lavez PAS les meules avec de l'eau.

Ne placez jamais les doigts dans la goulotte de broyage lorsque l'appareil est branché.

À l'aide de la brosse fournie, retirez délicatement la poussière de café des meules et remplacez-les en suivant les instructions de la section « Retrait et remplacement des meules ».

Pour laver le bac de récupération, essuyez doucement avec un chiffon doux et de l'eau savonneuse tiède. Séchez avec un chiffon sec après le nettoyage.

Essuyez l'extérieur du moulin et chargez le bac avec un chiffon doux et humide.

### Nettoyage automatique

Un moyen rapide de nettoyer votre moulin consiste à utiliser des pastilles de nettoyage pour moulin comme les pastilles Unex Grindz™. Elles permettent d'éviter que le moulin ne s'encrasse en retirant les poussières collées aux meules et en absorbant/éliminant les odeurs et les résidus d'huile de café.

Avant d'utiliser des pastilles de nettoyage, assurez-vous que tous les grains soient sortis de votre moulin en le faisant fonctionner pendant 10-20 secondes. Respectez les instructions livrées avec vos pastilles de nettoyage et placez la quantité appropriée dans le moulin. Réglez le paramètre de mouture sur 11 et appuyez sur le bouton d'alimentation pour lancer le moulin. Broyez toutes les pastilles dans le bac. Une fois le nettoyage terminé nous vous recommandons de broyer environ 30 g de café pour éliminer tout résidu de pastilles de nettoyage. Jetez les pastilles / le marc et nettoyez le bac.

## ENTRETIEN

### Déblocage du moulin

Il peut arriver que le moulin à café Ode se bloque et arrêter de moudre plus les grains de café. Lorsque cela se produit, le moulin cessera de fonctionner avant d'avoir moudre tous les grains de café du bac et un signal sonore retentira.

Un blocage mineur peut être éliminé comme suit :

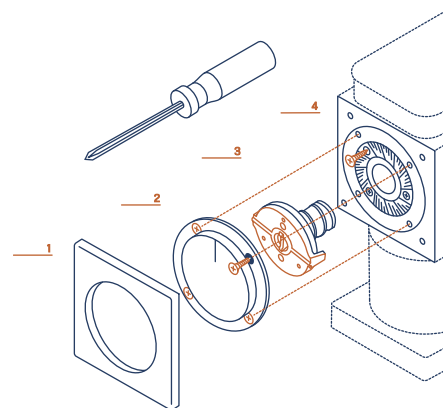
1. Vérifiez que le bac est vide. Tournez le réglage de mouture sur 11.
2. Tapotez fermement le côté du moulin plusieurs fois et secouez-le.
3. Appuyez sur le bouton d'alimentation et continuez à tapoter fermement sur le côté du moulin pendant plusieurs secondes. Si le broyage reprend, l'obstruction est éliminée. Sinon, consultez les instructions pour débloquer votre moulin.

Un blocage majeur peut être éliminé comme suit :

1. Débranchez le moulin.
2. Retirez les meules conformément aux instructions de la section « Retrait et remplacement des meules » du présent manuel.
3. Retirez le café chambre de mouture et jetez-le.
4. Vérifiez qu'aucun grain de café ou corps étranger n'est bloqué sur les meules (caillou, bâton, café non torréfié, haricot, etc.). Qui peut être coincé. Retirez les grains de café coincés et nettoyez les meules comme indiqué dans la section « Nettoyage » du présent manuel.
5. Réinstallez les meules. Faites fonctionner le moulin sans café pendant 5 secondes pour vérifier qu'il fonctionne comme prévu. Le moulin ne doit pas émettre un bruit inhabituel et tourner à une vitesse uniforme. Si le moulin se met à faire un bruit inattendu, répétez ce processus et inspectez-le soigneusement pour vous assurer que toutes les poussières de café ont été éliminées. Si le problème persiste, veuillez contacter le service client Fellow.

Pour obtenir de l'aide supplémentaire, consultez [fellowproducts.com/odemanual](http://fellowproducts.com/odemanual).

Diagramme C : Vue éclatée

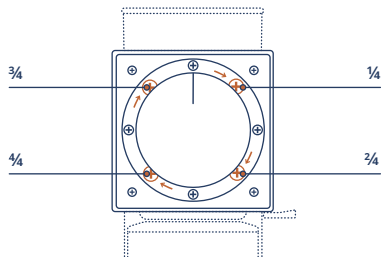


## Retrait et remplacement des meules

**ATTENTION : Les meules sont des objets coupants, à manipuler avec précaution !**

1. Débranchez votre moulin et videz le café.
2. Commencez par retirer la façade du moulin. La façade s'enclenche et se détache facilement. Tirez doucement sur la façade pour la détacher.
3. À l'aide d'un tournevis cruciforme, dévissez les quatre plus grandes vis signalées par des flèches dans le diagramme D.

Diagramme D



4. Tirez le réglage de mouture pour retirer l'ensemble du réglage de mouture.
5. Retirez délicatement la meule rotative/fraise (la meule la plus proche de vous) et le fer de fraise et le ressort de la chambre de mouture en appuyant dessus. Veillez à ne pas perdre des pièces lorsque vous retirez le réglage de mouture. Référez-vous aux diagrammes E et F.

Diagramme E

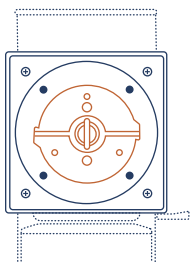
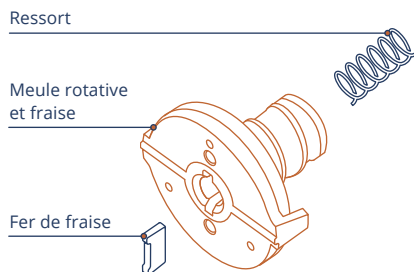


Diagramme F



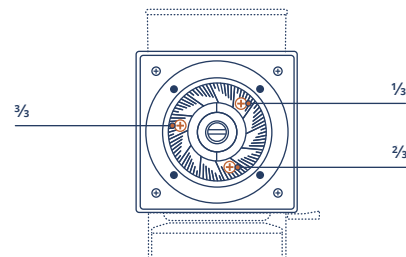
*Si vous ne faites que nettoyer, ne démontez pas davantage les meules. À l'aide de la brosse fournie, brossez délicatement la poussière de café des meules et remontez-les.*

**Si vous remplacez les meules, passez aux étapes suivantes.**

6. La meule fixe est fixée à la chambre de mouture. Pour la retirer, commencez par utiliser un tournevis cruciforme pour retirer les trois vis qui la maintiennent en place. Si du marc de café vous empêche de retirer les vis, utilisez une petite brosse pour nettoyer le marc avant d'essayer de retirer les vis.

*Retirez délicatement la meule fixe.*

Diagramme G



7. La meule rotative est fixée à la fraise. Pour retirer la meule rotative commencez en utilisant un tournevis cruciforme pour retirer les trois vis qui la maintiennent en place. Si du marc de café vous empêche de retirer les vis, utilisez une petite brosse pour nettoyer le marc avant d'essayer de retirer les vis. Diagramme H et I.
8. Soulevez délicatement la meule rotative pour l'éloigner de la fraise.

**Pour remplacer les meules, répétez ces étapes dans l'ordre inverse.**

Assurez-vous que la meule rotative est reliée à la fraise et que la meule fixe est fixée à la chambre de mouture.

Diagramme H

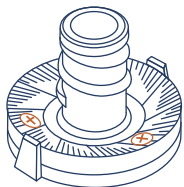
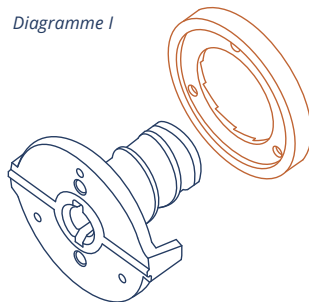


Diagramme I



### Calibrage du moulin à café Ode

Le moulin à café Ode est conçu pour mouliner le café et ne pourra pas broyer les grains assez finement pour la plupart des machines à expresso. Cependant, si vous souhaitez mouliner finement vos grains pour la cafetière AeroPress®, Prismo, Hario V60 ou d'autres méthodes de broyage, nous vous recommandons de vérifier que le point de contact des meules, ou " point zéro ", de votre moulin est correctement calibré pour obtenir cette finesse.

Votre moulin est livré calibré avec son « point zéro » (réglage où les meules se touchent) au réglage 1. Ce réglage variera légèrement au fur et à mesure de l'utilisation. Par conséquent, il est normal que la mouture soit de plus en plus grossière. N'utilisez pas le réglage 1 pour vos 5 premiers kilos de café, car les dents " grinceront " et se heurteront l'une l'autre.

À la réception un grincement des meules au réglage 1 indique que votre moulin est calibré. Lorsqu'elles sont calibrées, les meules broient les grains conformément au réglage. Ceci permet de conserver les performances de broyage constantes tout au long de la durée de vie de votre moulin. Si vous n'entendez pas les meules grincer au réglage 1 lors de la première utilisation de votre moulin, la mouture sera plus grossière que si votre moulin était calibré.

Pour voir des vidéos sur le calibrage veuillez consulter [Fellowproducts.com/odemanual](https://fellowproducts.com/odemanual)

Plus d'informations sur :  
[Fellowproducts.com/odemanual](https://fellowproducts.com/odemanual)

### GARANTIE

Pour l'entretien la réparation ou toute question concernant votre moulin à café Ode, veuillez consulter [help.fellowproducts.com](https://help.fellowproducts.com) et soumettre une demande. Ne renvoyez PAS le produit au fabricant et ne l'apportez pas dans un centre de réparation sans avoir contacté le service client Fellow.

#### Garantie limitée d'un an

Fellow garantit ce produit contre tout défaut dû à un matériau défectueux ou à un défaut de fabrication pour une période d'un an après la date d'achat.

#### Cette garantie n'est valable que :

Pour le client d'origine.

Lorsque le moulin est acheté auprès de revendeurs agréés.

Avec le ticket de caisse d'origine comme preuve d'achat pour faire votre demande de garantie.

#### Cette garantie ne comprend pas les dommages du produit résultant des événements et actes suivants :

Accident, mauvaise utilisation ou réparations effectuées par une personne non autorisée.

Fonctionnement avec le mauvais type de courant ou de tension.

Non-respect des instructions de nettoyage du moulin.

Non-respect des mesures de précaution énumérées dans les avertissements et instructions de ce document.

Broyage de tout autre aliment ou objet que des grains de café torréfiés entiers.

Si le produit est défectueux pendant la période de garantie, ou si vous avez des questions concernant la garantie ou l'entretien veuillez consulter [help.fellowproducts.com](https://help.fellowproducts.com) et soumettre une demande.

# Moledora de Café Ode

Fellow Industries Inc.  
Fellowproducts.com  
Email: [hello@fellowproducts.com](mailto:hello@fellowproducts.com)  
San Francisco, CA 94110

Nombre del Producto: Molinillo de café Ode | Patentes pendientes  
1 año de garantía limitada | Diseñada en San Francisco, hecha en China

Modelo	Especificaciones
BGAAEU	220V   50Hz   150W   Peso: 4,5 kg   Dimensiones (AxAxL): 239 mm x 150 mm x 241,5 mm   Capacidad de molienda: 80 g   Longitud del cable eléctrico: 1 m



## Élimination du produit



Ce marquage indique que ce produit ne doit pas être éliminé avec les ordures ménagères dans les pays de l'Union européenne. Pour éviter tout risque de dégradation de l'environnement ou de la santé publique, recyclez ce produit de façon responsable afin de promouvoir une réutilisation durable des ressources matérielles. Pour renvoyer votre appareil usagé, utilisez les circuits de retour et de collecte spécialisés, ou contactez le revendeur auprès duquel vous avez acheté ce produit. Ces organismes sont en mesure de recycler le produit tout en garantissant la protection de l'environnement.

**PARA EL HOGAR ÚNICAMENTE  
GUARDE ESTAS INSTRUCCIONES**

Mas información en [Fellowproducts.com/odemanual](https://Fellowproducts.com/odemanual)



## LEA TODAS LAS INSTRUCCIONES. NO TIRE ESTA GUÍA DE SEGURIDAD.

### ¡ADVERTENCIA!

**Peligro de descarga eléctrica:** Este dispositivo tiene un conector de tres puntas con conexión a tierra. Para asegurar la protección en contra de un riesgo de descarga eléctrica o incendio, conecte únicamente a tomacorrientes correctamente conectados a tierra. El conector solo se conecta de una manera en el tomacorriente. No altere los dispositivos de seguridad del conector modificándolo en forma alguna o usando un adaptador. No conecte este dispositivo en un tomacorriente con un voltaje distinto al especificado en la parte inferior del dispositivo.

No use un adaptador con este dispositivo.

Se suministra un cable de suministro eléctrico corto para poder reducir el riesgo de que se enrede, además de evitar tropiezos como ocurre con los cables más largos. Si necesita un cable más largo, se puede usar un alargador homologado. Las especificaciones del alargador deben ser iguales o superiores a las de este dispositivo. Tenga cuidado de que el alargador no cuelgue de la superficie o mesa donde los niños puedan tirar de él o tropezarse. Para evitar una sobrecarga eléctrica, no use ningún dispositivo de alto consumo eléctrico en el mismo circuito que el de este dispositivo.

### PROTECCIONES IMPORTANTES

Antes de usar el molinillo, lea por favor lea estas advertencias de seguridad con cuidado y use el molinillo apropiadamente. Estas advertencias de seguridad son indicadas para el uso seguro y apropiado de este producto para prevenir el daño al usuario u otros daños a propiedad. Cuando use dispositivos eléctricos, se deben seguir siempre las precauciones básicas de seguridad, incluyendo las siguientes:

Después de desembalar el molinillo, deseche cuidadosamente las bolsas plásticas y otros envoltorios de tal manera que los niños y otros no puedan alcanzarlos.

Este dispositivo tiene un enchufe de tres puntas y con conexión a tierra, y debe estar conectado a tierra con una toma de corriente de tres puntas cuando esté en uso. Para asegurar la protección frente al riesgo de descarga eléctrica o incendio, conecte únicamente a tomas de corriente con una correcta conexión a tierra.

No sumerja el cable de corriente, enchufe o cualquier parte del molinillo en el agua u otro líquido.

El uso de accesorios no es recomendado por Fellow, ya que puede resultar en incendio, descargas eléctricas o lesiones personales.

Utilícelo únicamente con corriente alterna y el voltaje correcto. Asegúrese de que el voltaje de su red sea el mismo que el que está marcado en rojo debajo del molinillo. Para evitar una sobrecarga eléctrica, no opere otro dispositivo de alto voltaje en el mismo circuito.

Nunca deje el molinillo sin atender cuando esté en uso. Se requiere de supervisión cuando los niños utilicen el dispositivo o se encuentren cerca mientras se usa. No lo use al alcance de los niños.

Este dispositivo no ha sido diseñado para ser usado por personas (incluyendo niños) con capacidades físicas, sensoriales o mentales reducidas, o que carezcan de la experiencia y conocimiento necesarios, a menos que se les haya dado supervisión o instrucción en relación con el uso del dispositivo por una persona responsable de su seguridad.

El molinillo debe utilizarse en una superficie seca y plana, lejos de cualquier borde de una superficie, para evitar caídas accidentales. La vibración durante el funcionamiento del molinillo puede hacer que se mueva.

No lo coloque en ninguna superficie donde pueda entrar en contacto con otra fuente de calor. Por ejemplo sobre un quemador de gas o eléctrico o cerca de estos, en un horno caliente o en un microondas.

Evite el contacto con las partes en movimiento del molinillo.

No altere la protección para los dedos que cubre el conducto de salida con conexión a tierra.

Nunca mueva el molinillo mientras la unidad esté en uso.

Revise el compartimento de carga en busca de cualquier objeto extraño que no sean granos de café antes de usarlo.

No ponga ninguna otra sustancia distinta de los granos de café y el limpiador del molinillo en su interior.

Use solo granos de café enteros en el molinillo. No ponga café que ya haya sido molido dentro del molinillo. Volver a moler café que ya esté molido puede hacer que el molinillo se desgaste más rápidamente y esto anulará la garantía.

Desconéctelo de la toma de corriente cuando no esté en uso y antes de limpiarlo. Deje que las partes en movimiento se detengan antes de limpiar el molinillo. No use el molinillo sin haber colocado la tapa de manera apropiada en el compartimento de carga.

Solo limpie la parte exterior del molinillo con un paño húmedo.

Tenga cuidado de no caer el molinillo, ya que esto puede dañar la palanca para granos sobrantes y los componentes internos.

Para desconectarlo, agarre el enchufe y extráigalo de la toma de corriente. Nunca tire del cable eléctrico.

No permita que el cable cuelgue sobre borde de la mesa o superficie.

No utilice el molinillo con un cable eléctrico o enchufe dañado, si el molinillo deja de funcionar o si el producto ha sido dañado en cualquier forma.

Si el cable de alimentación está dañado, deberá contactar con el fabricante, su representante de mantenimiento o cualquier otra persona debidamente cualificada para sustituirlo y evitar cualquier peligro.

Desmunte el molinillo solamente según se indica en la sección "**Limpieza y Almacenamiento**" de este manual. Si está teniendo problemas con objetos atascados o cualquier otro problema, consulte nuestra página [help.fellowproducts.com](http://help.fellowproducts.com) y visite nuestra sección Preguntas Frecuentes.

No lo uso para ningún otro propósito que moler granos enteros de café.

Este dispositivo está diseñado para uso doméstico únicamente. Su uso para algo distinto que el uso previsto invalidará la garantía de un año.

No está diseñado para usarse en el exterior.

No meta ningún utensilio en el molinillo o el conducto de salida.

Este producto contiene imanes de neodimio. NUNCA se debe permitir a los niños que jueguen con imanes de NEODIMIO. Incluso los imanes más pequeños pueden causar un daño grave si se tragan. Mantenga siempre los imanes de neodimio fuera del alcance de los niños.

Mantenga siempre una distancia segura (de al menos 10 cm) entre los imanes y cualquier objeto que pueda ser dañado por magnetismo; recuerde que los imanes de neodimio son más fuertes que los imanes ordinarios. Artículos tales como relojes mecánicos, marcapasos cardíacos, monitores y televisores con tubo de rayos catódicos, tarjetas de crédito, disquetes y otros medios almacenados magnéticamente tales como cintas de vídeo pueden verse afectados por imanes potentes.

No use el cierre magnético encima de una balanza electrónica. El cierre magnético puede interferir con la precisión de la balanza electrónica e incluso dañarla. No se recomienda usar un cierre magnético encima de una balanza electrónica.

Para reducir el riesgo de incendio o descarga eléctrica, no retire la cubierta inferior de la base o desmonte la base del molinillo ninguna manera. No hay piezas a las cuales el usuario pueda dar mantenimiento dentro de ese espacio. La reparación debe hacerse a través de personal de servicio autorizado únicamente. Abrir la base del molinillo resultará en la anulación de la garantía de un año.

NO lo utilice en presencia de gases explosivos y/o inflamables.

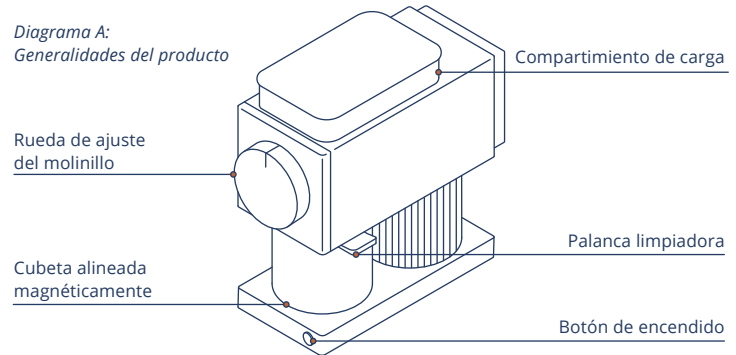
Para un uso adecuado, utilice este dispositivo durante menos de 90 segundos seguidos, con un tiempo de descanso mínimo de 90 segundos entre dos ciclos continuos.

El molinillo no puede funcionar durante más de 6 minutos seguidos dentro de periodos de 10 minutos, y debe dejarse en reposo durante 30 minutos si el tiempo de trabajo excede los 6 minutos.

## PARA EL HOGAR ÚNICAMENTE GUARDE ESTAS INSTRUCCIONES

### LIMPIEZA Y USO

Diagrama A:  
Generalidades del producto



## ¡PRECAUCIÓN!

Por favor, lea todas las instrucciones de uso por completo antes de encender y usar el molinillo.

No use estropajos abrasivos, productos químicos fuertes o de limpieza en aerosol para limpiar. Pueden dañar la superficie del dispositivo.

No meta ninguna parte del molinillo en el lavaplatos.

### Antes de su uso

Quite y recicle o deseche todas las pegatinas, etiquetas descriptivas, sujetacables y materiales de embalaje, incluyendo las etiquetas fijas y las y etiquetas colgantes con cordón.

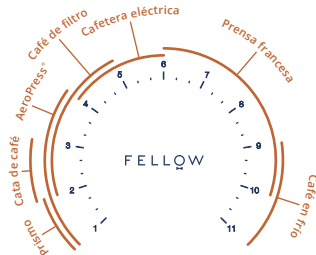
Antes de limpiarlo, recomendamos que haga funcionar el molinillo durante 10 segundos sin granos de café para limpiar cualquier grano/residuo del molinillo y el conducto de salida.

Desconecte siempre el cable eléctrico de la toma de corriente antes de limpiar.

Limpie el cuerpo del molinillo con un paño suave y húmedo. Limpie la cubeta alineada magnéticamente al igual que la tapa y seque por completo.

Coloque el molinillo en una superficie nivelada y conéctelo al voltaje adecuado.

Diagrama B:  
Guía de molienda



### Instrucciones de uso

1. Seleccione el tamaño del grano girando la rueda de ajuste del molinillo hacia la izquierda o derecha (1 = fino, 11 = grueso). Consulte nuestra Guía de molienda (Diagrama B) como ayuda para hacer su elección.

*No use el ajuste de 1 para sus primeros 4,5 kg de café, dado que las muelas del molinillo se chirriarán y golpearán la una con la otra. El molinillo está calibrado en su "punto cero" (el ajuste donde las muelas se tocan) en el ajuste uno. A medida que se desgastan, el ajuste de estas se desplaza, y como tal, cabe esperar un ligero desajuste. (Para más información sobre el contacto de las muelas/el punto cero, consulte la página 42).*

2. Retire la tapa del compartimento de carga de una sola dosis levantándola.
3. Vierta la cantidad deseada de granos enteros de café tostados en el compartimento de carga hasta un máximo de 80 g/2,8 oz. Coloque la tapa. Asegúrese que la cubeta esté directamente debajo del conducto de salida y que esté vacía.

*No muela más de 80 g de café sin vaciar antes la cubeta. Si se llena en exceso la cubeta, el molinillo podría atascarse.*

4. Presione el botón de encendido. El molinillo empezará a moler y se detendrá automáticamente una vez que haya terminado de moler. También puede mantener pulsado el botón de encendido durante más de 1,5 segundos. El molinillo funcionará hasta que suelte el botón.

### Limpieza general

Si el molinillo se usa a diario, las muelas deben limpiarse al menos cada tres meses con pastillas de limpieza (consulte a continuación Limpieza Automática) o con un cepillo duro.

Para limpiar las muelas, retírelas siguiendo las instrucciones de la sección "Retirada y sustitución de las muelas".

No sumerja el molinillo en agua. NO lave las muelas con agua. Nunca coloque los dedos en la tolva de moler mientras el producto esté conectado.

Nunca meta los dedos en el conducto de salida mientras el producto está enchufado.

Use el cepillo suministrado, limpie suavemente el polvo de café de las de las muelas y vuelva a colocarlas siguiendo las instrucciones de la sección "Retirada y sustitución de las muelas".

Para limpiar la cubeta, utilice un paño suave y agua tibia y enjabonada. Seque con un paño seco después de la limpieza.

Limpie el exterior del molinillo y el compartimento de carga con un paño suave y húmedo.

### Limpieza automática

Una manera rápida de limpiar el molinillo es mediante pastillas de limpieza para molinillos de café, como las de la marca Urnex GrindzTM.

Se han diseñados para prevenir obstrucciones al liberar las partículas de café pegadas a las muelas y absorber/eliminar los olores y los restos de aceite de café.

Para usar las pastillas de limpieza, asegúrese de que todos los granos hayan pasado por el molinillo al hacerlo funcionar durante 10 – 20 segundos. Siga las instrucciones de las pastillas de limpieza para poner la cantidad adecuada en el molinillo. Ponga el molinillo en el ajuste 11 y presione el botón de encendido para hacerlo funcionar. Muela todas las pastillas de la cubeta. Una vez que termine, recomendamos moler aproximadamente 30 g de café para eliminar cualquier residuo de pastillas. Tire las pastillas/el café molidos de la cubeta y límpiela.

## MANTENIMIENTO

### Solución de atascos del molinillo

En ocasiones, el molinillo de café Ode se puede atascar y deja de moler. Cuando esto ocurre, el molinillo deja de moler antes de que se termine todo el café de la tolva y sonará un sonido de aviso.

Los atascos importantes se pueden solucionar de la siguiente manera:

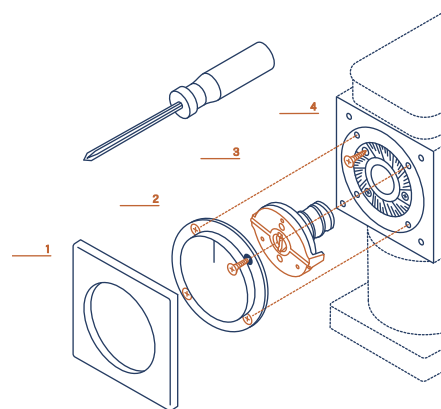
1. Revise que la cubeta esté limpia. Gire la rueda de ajuste del molinillo al ajuste 11.
2. De un golpe fuerte y firme al molinillo en los lados varias veces y agite.
3. Presione el botón de encendido y continúe golpeando firmemente el lateral del molinillo durante varios segundos. Si vuelve a funcionar, se habrá despejado la obstrucción. Si no, siga las instrucciones para poder despejar un atasco importante.

Los atascos importantes se pueden despejar de la siguiente manera:

1. Desconecte el molinillo.
2. Retire las muelas según las instrucciones de la Sección “Retirada y sustitución de las muelas”.
3. Retire el café de la cámara de moler y deséchelo.
4. Inspeccione en busca de granos de café o materiales extraños (piedras, palitos, granos de café sin tostar, etc.) que puedan estar atascados. Retire los granos de café atascados y limpie las muelas según se indica en la sección “Limpieza” de este manual.
5. Reinstale las cuchillas. Haga funcionar el molinillo sin café durante 5 segundos para revisar que funcione según lo previsto. El molinillo debe girar silenciosamente a una velocidad constante. Si el molinillo está haciendo ruidos inesperados, repita el proceso y revíselo cuidadosamente para asegurarse de que las partículas de café se hayan despejado. Si el problema persiste, póngase en contacto con el servicio al cliente de Fellow.

Para obtener más ayuda, visite la página [fellowproducts.com/odemanual](http://fellowproducts.com/odemanual).

Diagrama C: Vista despiezada

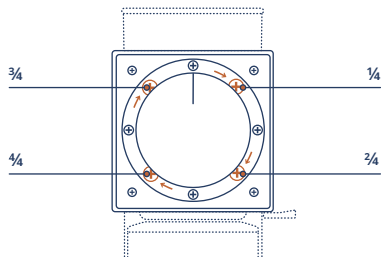


## Retirada y sustitución de las muelas

**PRECAUCIÓN:** las muelas del molinillo están afiladas, ¡manipúelas con cuidado!

1. Desconecte el molinillo y vacíelo de café.
2. Empiece retirando la placa frontal del molinillo. La placa simplemente se encaja y se desencaja. Tire de ella suavemente para desengancharla.
3. Usando un destornillador de estrella (Phillips), desatornille los cuatro tornillos de mayor tamaño que tienen flechas que apuntan a los mismos. Consulte el Diagrama D como referencia.

Diagrama D



4. Tire suavemente de la rueda de ajuste del molinillo para retirarla.
5. Retire cuidadosamente la muela giratoria/fresa (la muela más cercana a usted), la llave de la fresa y el muelle de la cámara de moler presionando. Tenga cuidado de no perder ninguna de estas piezas al retirarlas. Consulte los diagramas E y F como referencia.

Diagrama E

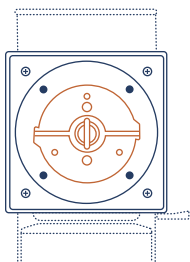
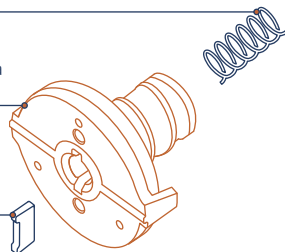


Diagrama F

Muelle

Muela giratoria y fresa

Llave de la fresa



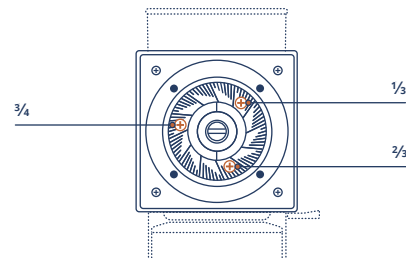
Si solo va a limpiar, no desmonte más las muelas. Con el cepillo suministrado, limpie suavemente el polvo de café de las de las muelas y vuelva a colocarlas.

Si va a sustituir las muelas, siga estos pasos.

6. La muela fija está acoplada a la cámara de moler. Para retirarla, utilice un destornillador de estrella (Phillips) para extraer tres tornillos que la sostienen en su lugar. Si los tornillos tienen café molido que dificulta su extracción, use un cepillo pequeño para quitar el café molido antes de intentar extraer los tornillos.

Retire cuidadosamente la muela fija. Diagrama G

Diagrama G



7. La muela giratoria está acoplada a la fresa. Para retirarla, utilice un destornillador tipo estrella (Phillips) para extraer estos tornillos que la mantienen en su lugar. Si los tornillos tienen polvo de café que dificulta su extracción, utilice un cepillo pequeño para quitar el café molido antes de intentar extraer los tornillos. Diagrama H e I, Página 42.

8. Retire cuidadosamente la cuchilla giratoria de la fresa levantándola.

**Para volver a colocar las muelas repita estos pasos en orden inverso.**

Asegúrese de que la cuchilla giratoria se vuelva a acoplar a la fresa y de que la cuchilla fija se acople de nuevo a la cámara de moler.

Diagrama H

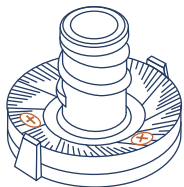
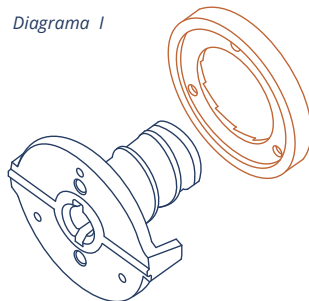


Diagrama I



### Calibración del molinillo de café Ode

El molinillo de café Ode está diseñado para preparar café y no puede moler lo suficientemente fino lo suficiente para para la mayoría de las máquinas de expresso. Sin embargo, si usted quiere moler finamente para una cafetera AeroPress®, Prismo, Hario V60 o cualquier otro método de preparación, asegúrese de que el punto de contacto entre las muelas, el “punto cero”, del molinillo esté correctamente calibrado para obtener el mejor resultado posible.

El molinillo viene calibrado con el punto de contacto de las muelas en el ajuste de nivel 1. A medida que se desgastan las muelas, el ajuste de contacto entre ellas se irá desplazando poco a poco, lo cual es normal y como tal, cabe esperar un ligero desajuste. No use el ajuste 1 para sus primeros 4,5 kg de café, dado que las muelas chirriarán y se golpearán entre sí.

Cuando las muelas chirrián en el nivel de ajuste 1 quiere decir que el molinillo está calibrado. Los molinillos calibrados producen el mismo resultado que el indicado en todos los ajustes. Esto ayuda a mantener el rendimiento del molinillo de manera uniforme durante toda su vida útil. Si no oye las muelas golpeándose entre sí en el ajuste 1 al utilizar el molinillo por primera vez, entonces el tamaño del café molido será más grueso que el de un molinillo calibrado en el mismo ajuste.

Para ver videos de cómo calibrar, por favor vaya a la página [Fellowproducts.com/odemanual](https://fellowproducts.com/odemanual)

Puede encontrar más información en:  
[Fellowproducts.com/odemanual](https://fellowproducts.com/odemanual)

## GARANTÍA

Para realizar mantenimiento, reparaciones o preguntas en relación con su molinillo de café Ode, por favor visite la página [help.fellowproducts.com](https://help.fellowproducts.com) y envíe su solicitud. NO devuelva el producto al fabricante ni lo lleve a un centro de servicio sin antes hablar con un representante de servicio al cliente de Fellow.

### Un año de garantía limitada

Fellow garantiza este producto frente a cualquier defecto debido a material defectuoso o un problema de mano de obra por un periodo de un año después de la fecha original de compra del consumidor.

Esta garantía es válida únicamente para:

El consumidor original.

Cuando el molinillo se compra a través de vendedores autorizados.

Con la factura original de compra como comprobante de compra para hacer valer la garantía.

Esta garantía no incluye los daños causados al producto que resulten de:

Accidente, mal uso o reparaciones realizadas por personal no autorizado.

Uso con el voltaje o la corriente incorrectos.

No seguimiento de las instrucciones de limpieza del molinillo.

Incumplimiento de las medidas de seguridad de seguridad anotadas en las advertencias e instrucciones de este documento.

Moler cualquier cosa distinta a granos de café tostado.

Si el producto se vuelve defectuoso dentro del periodo de garantía o usted tiene alguna pregunta en relación con la garantía o mantenimiento, visite la página [help.fellowproducts.com](https://help.fellowproducts.com) y envíe su solicitud.

# Ode Kaffeemaschine und Mühle

Fellow Industries Inc.  
Fellowproducts.com  
Email: [hello@fellowproducts.com](mailto:hello@fellowproducts.com)  
San Francisco, CA 94110

Produktname: Ode Kaffeemaschine und Mühle | Angemeldetes Patent  
1 Jahr beschränkte Garantie | Entworfen in San Francisco, hergestellt in China

Modell	Spezifikationen
BGAAEU	220V   60Hz   150W   Gewicht: 4,5 kg   Abmessungen (LxBxH): 239 mm x 105 mm x 241,5 mm   Mahlkapazität: 80g   Kabellänge: 1 m



## La correcta eliminación de este producto



Esta marca indica que este producto no debe ser eliminado con otros desechos domésticos en toda la UE. Para evitar posibles daños al medio ambiente o a la salud humana por la eliminación incontrolada de residuos, recíclalo de forma responsable para promover la reutilización sostenible de los recursos materiales. Para devolver el dispositivo usado, utilice los sistemas de devolución y recogida o póngase en contacto con el minorista donde compró el producto. Ellos pueden llevar este producto a un reciclaje seguro para el medio ambiente.

**NUR FÜR DEN HAUSHALT BEABSICHTIGT.  
BITTE DIE ANLEITUNG AUFBEWAHREN**

Weitere Informationen unter [Fellowproducts.com/odemanual](https://fellowproducts.com/odemanual)

## LESEN SIE DIE ANLEITUNG SORGFÄLTIG DURCH. Werfen Sie diesen Sicherheitsleitfaden nicht weg.

### ACHTUNG!

**Stromschlaggefahr:** Dieses Gerät verfügt über einen geerdeten dreipoligen Stecker. Zum Schutz vor Stromschlag oder Brand nur an ordnungsgemäß geerdete Steckdosen anschließen. Der Stecker passt nur in eine Richtung in eine Steckdose. Machen Sie die Sicherheitsfunktion des Steckers nicht unwirksam, indem Sie den Stecker in irgendeiner Weise modifizieren oder einen Adapter verwenden. Schließen Sie dieses Gerät nicht an eine Steckdose mit einer anderen Spannung als der an der Unterseite dieses Geräts angegebenen an.

Verwenden Sie für dieses Gerät keinen Adapter.

Ein kurzes Netzkabel verringert das Risiko, dass es sich in einem längeren Kabel verfängt oder man darüber stolpert. Wenn ein längeres Kabel erforderlich ist, kann ein zugelassenes Verlängerungskabel verwendet werden. Die elektrische Leistung des Verlängerungskabels muss mindestens der Leistung dieses Geräts entsprechen. Achten Sie darauf, dass das Verlängerungskabel nicht über die Arbeitsplatte oder Tischplatte fällt, wo Kinder daran ziehen können oder darüber gestolpert werden kann. Verwenden Sie zur Vermeidung einer Überlastung des Stromkreises kein Gerät mit hoher Leistung im selben Stromkreis wie dieses Gerät.

## WICHTIGE SICHERHEITSMASSNAHMEN

Lesen Sie vor dem Gebrauch diese Sicherheitshinweise sorgfältig durch und verwenden Sie die Mahlmaschine ordnungsgemäß. Diese Sicherheitshinweise dienen der sicheren und ordnungsgemäßen Verwendung dieses Produkts, um Gefahren für den Benutzer oder andere Personen sowie Sachschäden zu vermeiden. Bei der Verwendung von Elektrogeräten sollten immer die grundlegenden Sicherheitsvorkehrungen beachtet werden, einschließlich der folgenden:

Entsorgen Sie die Plastiktüten und andere Verpackungen nach dem Auspacken der Mahlmaschine vorsichtig, damit Kinder und andere Erwachsene sie nicht erreichen können.

Dieses Gerät verfügt über einen geerdeten dreipoligen Stecker und muss bei Verwendung mit einer dreipoligen Steckdose geerdet werden.

Zum Schutz vor Stromschlag oder Brand nur an ordnungsgemäß geerdete Steckdosen anschließen.

Tauchen Sie Kabel, Stecker oder andere Teile der Mahlmaschine nicht in Wasser oder andere Flüssigkeiten.

Die Verwendung von Zubehörteilen wird von Fellow nicht empfohlen, da dies zu Feuer, Stromschlag oder Verletzungen führen kann.

Nur mit Wechselstrom und der richtigen Spannung verwenden.

Stellen Sie sicher, dass Ihre Hauptversorgungsspannung mit der auf der Unterseite Ihrer Maschine angegebenen übereinstimmt.

Betreiben Sie kein anderes Gerät mit hoher Leistung im selben Stromkreis, um eine elektrische Überlastung zu vermeiden. Lassen Sie die Maschine niemals unbeaufsichtigt, wenn Sie sie verwenden.

Eine enge Überwachung ist erforderlich, wenn ein Gerät von oder in der Nähe von Kindern verwendet wird.

Nicht in Reichweite eines Kindes verwenden.

Dieses Gerät ist nicht für die Verwendung durch Personen (einschließlich Kinder) mit eingeschränkten körperlichen, sensorischen oder geistigen Fähigkeiten oder mangelnder Erfahrung und Wissen vorgesehen, es sei denn, sie wurden von einer Person beaufsichtigt oder in Bezug auf die Verwendung des Geräts angewiesen, die für ihre Sicherheit verantwortlich ist.

Die Maschine muss auf einer trockenen, ebenen Fläche vom Rand der Theke entfernt betrieben werden, um ein versehentliches Umkippen zu verhindern.

Vibrationen während des Betriebs können dazu führen, dass sich die Mahlmaschine bewegt.

Stellen Sie das Gerät nicht an Orten auf, an denen es eine andere Wärmequelle berühren könnte

Zum Beispiel an oder in der Nähe eines Heißgasbrenners oder eines elektrischen Brenners, in einem beheizten Ofen oder in einer Mikrowelle. Kontakt mit beweglichen Teilen der Mahlmaschine vermeiden.

Den Fingerschutz, der die elektrisch geerdete Rutsche bedeckt, nicht manipulieren.

Bewegen Sie die Mahlmaschine niemals, während das Gerät in Betrieb ist.

Überprüfen Sie den Laderaum vor der Verwendung auf Fremdkörper, die keine Kaffeebohnen sind.



Geben Sie keine anderen Substanzen als Kaffeebohnen und Mühlenreiniger in die Maschine.

Verwenden Sie nur ganze Kaffeebohnen. Geben Sie keinen bereits gemahlene Kaffee in die Maschine.

Das erneute Mahlen von bereits gemahlene Kaffee kann dazu führen, dass sich Ihre Mahlmaschine schneller abnutzt und die Garantie erlischt. Ziehen Sie den Stecker aus der Steckdose, wenn Sie ihn nicht verwenden und bevor Sie ihn reinigen.

Wenn das Stromversorgungskabel beschädigt ist, muss es vom Hersteller, seinem Vertragskundendienst oder ähnlich qualifizierten Personen ersetzt werden.

Lassen Sie die Teile stehen bleiben, bevor Sie die Mahlmaschine reinigen. Verwenden Sie die Maschine nicht ohne Deckel, der ordnungsgemäß auf dem Ladebehälter platziert ist. Reinigen Sie die Außenseite der Mahlmaschine nur mit einem feuchten Tuch. Achten Sie darauf, den Mahler nicht zu kippen, da dies den Klopfer und die internen Komponenten beschädigen kann. Zum Herausziehen den Stecker greifen und aus der Steckdose ziehen. Niemals an der Schnur ziehen. Lassen Sie die Schnur nicht über die Kante eines Tisches oder einer Theke hängen. Betreiben Sie die Mahlmaschine nicht mit einem beschädigten Kabel oder Stecker, wenn die Mahlmaschine defekt ist oder das Produkt auf irgendeine Weise beschädigt wurde.

Zerlegen Sie Ihre Mahlmaschine nur gemäß den Anweisungen im Abschnitt "Reinigung und Lagerung" dieses Handbuchs. Wenn Sie Probleme mit Störungen oder anderen Problemen haben, besuchen Sie [help.fellowproducts.com](http://help.fellowproducts.com) sowie unsere FAQ-Seite.

Nicht für andere Zwecke als zum Mahlen von Bohnenkaffee verwenden. Dieses Gerät ist nur für den Hausgebrauch bestimmt. Bei Verwendung für etwas anderes als den beabsichtigten Gebrauch erlischt die einjährige Garantie. Nicht im Freien verwenden. Legen Sie keine Utensilien in die Mahlmaschine oder den Mahlschacht. Dieses Produkt enthält Neodym-Magnete. Kinder dürfen NIEMALS mit NEODYMIUM-Magneten spielen.

Selbst relativ kleine Magnete können beim Verschlucken schwere Verletzungen verursachen. Bewahren Sie alle Neodym-Magnete immer außerhalb der Reichweite von Kindern auf.

Halten Sie immer einen Sicherheitsabstand (mindestens 10 cm) zwischen Magneten und allen Objekten ein, die durch Magnetismus beschädigt werden können, und denken Sie daran, dass Neodym-Magnete zehnmal stärker sind als „normale“ Magnete! Gegenstände wie mechanische Uhren, Herzschrittmacher, Röhrenmonitore und Fernseher, Kreditkarten, Disketten und andere magnetisch gespeicherte Medien wie Videobänder werden von starken Magneten betroffen. Verwenden Sie den Magnetverschluss nicht über einer elektronischen Waage. Der Magnetverschluss kann die Genauigkeit einer elektronischen Waage beeinträchtigen oder sogar beschädigen.

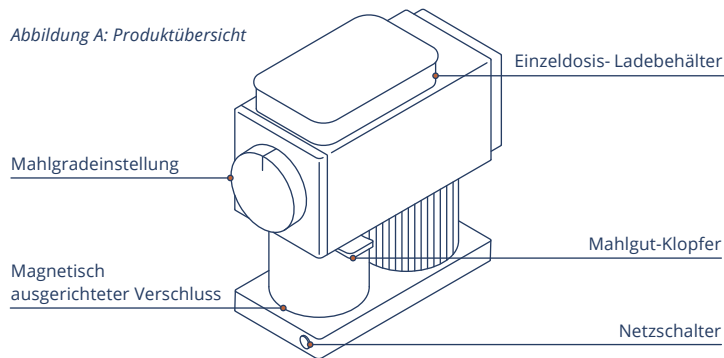
Es wird nicht empfohlen, den Magnetverschluss über einer elektronischen Waage zu verwenden. Um die Gefahr eines Brandes oder eines Stromschlags zu verringern, entfernen Sie die untere Abdeckung nicht vom Boden und zerlegen Sie den Boden der Mahlmaschine in keiner Weise. Im Inneren befinden sich keine vom Benutzer zu wartenden Teile. Reparaturen sollten nur von autorisiertem Servicepersonal durchgeführt werden. Das Öffnen des Bodens der Mühle führt zum Erlöschen der einjährigen Garantie. Nicht in der Nähe von explosiven und / oder brennbaren Dämpfen betreiben.

Betreiben Sie dieses Gerät für eine ordnungsgemäße Verwendung weniger als 90 Sekunden pro Zeit, wobei zwischen zwei aufeinanderfolgenden Zyklen eine Ruhezeit von mindestens 90 Sekunden eingehalten wird. Die Mahlmaschine kann innerhalb von 10 Minuten nicht 6 Minuten ununterbrochen arbeiten und muss 30 Minuten ruhen, wenn die Arbeitszeit 6 Minuten überschreitet.

## NUR FÜR DEN HAUSHALT BEABSICHTIGT. BITTE DIE ANLEITUNG AUFBEWAHREN

### REINIGUNG UND GEBRAUCH

Abbildung A: Produktübersicht



## VORSICHT!

Bitte lesen Sie alle Gebrauchsanleitungen vollständig durch, bevor Sie Ihre Mahlmaschine einschalten und verwenden.

Verwenden Sie zum Reinigen keine Glaswollschwämme, aggressiven Chemikalien oder Sprühreinigerchemikalien. Diese können die Oberfläche des Geräts beschädigen.

Stellen Sie keinen Teil Ihrer Mahlmaschine in die Spülmaschine.

## Vor dem Gebrauch

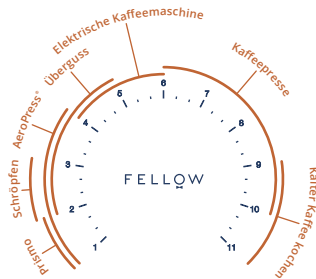
Entfernen und recyceln oder entsorgen Sie alle Aufkleber, Beschriftungen, Etiketten, Kabelbinder und Verpackungsmaterialien, einschließlich fester Aufkleber und Etikettenfähnchen mit Kabelbindern. Wir empfehlen, die Mahlmaschine vor dem Reinigen 10 Sekunden lang ohne Kaffeebohnen laufen zu lassen, um die (gemahlene) Bohnen von der Rutsche zu entfernen.

Ziehen Sie vor der Reinigung immer das Netzkabel aus der Steckdose. Wischen Sie den Körper der Mahlmaschine mit einem weichen, feuchten Tuch ab.

Wischen Sie den magnetisch ausgerichteten Verschluss und den Verschlussdeckel ab und trocknen Sie ihn gründlich ab.

Stellen Sie die Mahlmaschine auf eine ebene Fläche und schließen Sie sie an eine korrekte Spannung an.

Abbildung B:  
Mahl-Anleitung



## Gebrauchsanleitung

1. Wählen Sie den Mahlgrad, indem Sie die Mahlgradeinstellung nach links oder rechts drehen (1 = fein, 11 = grob). Weitere Informationen finden Sie in unserer Anleitung zum Mahlen (Abbildung B).

*Bitte verwenden sie Einstellung 1 nicht für Ihre ersten 5 Kilo Kaffee, da die Mahlwerkscheiben „quietschen“ und sich gegenseitig Glaswollschwämme. Ihre Maschine wird geliefert kalibriert mit ihrem „Nullpunkt“ (der Einstellung, bei der sich die Mahlwerkscheiben berühren) bei Einstellung 1. Mit der Zeit ändert sich diese Einstellung sich ein bisschen, was normal ist. Daher sollten Sie erwarten, dass die Einstellungen etwas gröber werden. (Weitere Informationen zu sich berührenden Mahlwerkscheiben / Nullpunkt finden Sie auf Seite 56).*

2. Entfernen Sie den Deckel durch Abheben vom Einzeldosis-Ladebehälter.
3. Schütten Sie die gewünschte Menge gerösteter ganzer Kaffeebohnen bis zu einer Höchstmenge von 80 g in den Ladebehälter. Setzen Sie den Deckel wieder auf. Stellen Sie sicher, dass sich der Verschluss vollständig unter der Rutsche befindet und leer ist.

*Mahlen Sie nicht mehr als 80 g Kaffee, ohne den Verschluss zu leeren. Wenn der Verschluss überfüllt wird, kann die Mahlmaschine blockieren.*

4. Drücken Sie den Netzschalter. Die Mahlmaschine beginnt zu arbeiten und hört automatisch auf, sobald Ihre Bohnen gemahlen sind. ODER halten Sie den Knopf länger als 1,5 Sekunden. Die Mahlmaschine mahlt, bis der Knopf losgelassen wird.

## Allgemeine Säuberung

Wenn die Mahlmaschine täglich verwendet wird, sollten die Mahlwerkscheiben mindestens alle drei Monate mit Tabletten (siehe unten für die automatische Reinigung) oder mit einer steifen Bürste gereinigt werden.

Entfernen Sie zum Reinigen von Mahlwerkscheiben die Mahlwerkscheiben gemäß den Anweisungen im Abschnitt „**Entfernen und Ersetzen von Mahlwerkscheiben**“.

Tauchen Sie die Mahlmaschine nicht in Wasser. Waschen Sie die Mahlwerkscheiben NICHT mit Wasser. Legen Sie niemals die Finger in den Schacht, solange der Stecker des Geräts nicht gezogen ist eingesteckt ist. Bürsten Sie mit der mitgelieferten Bürste vorsichtig Kaffeestaub von den Mahlwerkscheiben ab und ersetzen Sie die Mahlwerkscheiben gemäß den Anweisungen im Abschnitt „Entfernen und Ersetzen von Mahlwerkscheiben“.

Um den Verschluss zu waschen, wischen Sie ihn vorsichtig mit einem weichen Tuch und warmem Seifenwasser ab. Nach der Reinigung mit einem trockenen Tuch trocknen.

Wischen Sie die Mahlmaschine außen ab und wischen Sie den Behälter mit einem weichen, feuchten Tuch aus.

### Automatische Reinigung

Ein schneller Weg, um Ihre Mahlmaschine zu reinigen, ist die Verwendung von Mühlenreinigungstabletten wie Urnex Grindz™ Mühlenreinigungstabletten. Diese sollen ein Verstopfen verhindern, indem an den Mahlwerkscheiben haftende Kaffeeteilchen freigesetzt und Gerüche und Kaffeeölrückstände absorbiert / entfernt werden. Um Reinigungstabletten zu verwenden, stellen Sie sicher, dass alle Bohnen durch Ihre Mahlmaschine laufen, indem Sie sie 10 bis 20 Sekunden lang laufen lassen.

Befolgen Sie die Anweisungen für die Reinigungstablette, um die entsprechende Menge in die Mahlmaschine zu geben. Stellen Sie die Mahlstufe auf 11 ein und drücken Sie den Netzschalter (Knopf ein), um die Mahlmaschine zu betreiben. Mahlen Sie alle Tabletten in den Verschluss. Nach Abschluss des Vorgangs empfehlen wir, ca. 30 g Kaffee zu mahlen, um Tablettenreste zu entfernen. Entsorgen Sie die gemahlene(n) Tabletten / Kaffee aus dem Verschluss und reinigen Sie ihn.

## INSTANDHALTUNG

### Eine Verstopfung beseitigen

Gelegentlich kann sich die Ode Brew Mahlmaschine verklemmen und aufhören zu mahlen. In diesem Fall hört die Mahlmaschine auf zu mahlen, bevor der gesamte Kaffee im Trichter aufgebraucht ist und piept "SOS".

Kleinere Verstopfungen können wie folgt behoben werden:

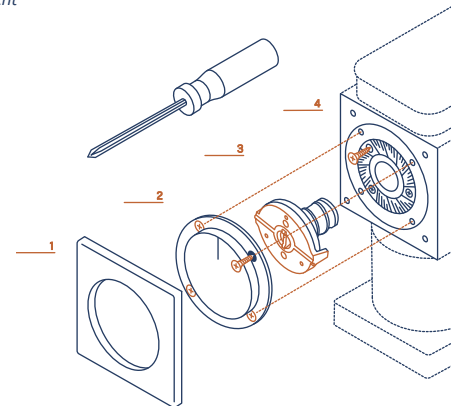
1. Überprüfen Sie, ob der Verschluss leer ist. Drehen Sie das Einstellrad auf Einstellung 11.
2. Klopfen Sie mehrmals fest auf die Seite und schütteln Sie sie.
3. Drücken Sie den Netzschalter und klopfen Sie einige Sekunden lang fest auf die Seite der Mahlmaschine. Wenn das Mahlen fortgesetzt wird, ist die Verstopfung beseitigt. Wenn nicht, fahren Sie mit den Anweisungen zum Beheben einer größeren Verstopfung fort.

Größere Verstopfungen können wie folgt behoben werden:

1. Ziehen Sie den Stecker aus.
2. Entfernen Sie die Mahlwerkscheiben wie im Abschnitt **„Entfernen und Ersetzen von Mahlwerkscheiben“** dieses Handbuchs beschrieben.
3. Kaffee aus der Mahlkammer entfernen und beseitigen.
4. Untersuchen Sie die Mahlwerkscheiben auf Kaffeebohnen oder Fremdkörper (Steine, Stöcke, ungeröstete Kaffeebohnen usw.), die möglicherweise stecken bleiben. Entfernen Sie festsitzende Kaffeebohnen und reinigen Sie die Mahlwerkscheiben gemäß den Anweisungen im Abschnitt **„Reinigung“** dieses Handbuchs.
5. Mahlwerkscheiben wieder einbauen. Lassen Sie die Mahlmaschine 5 Sekunden lang ohne Kaffee laufen, um zu überprüfen, ob sie wie erwartet funktioniert. Die Mahlmaschine sollte sich leise und gleichmäßig drehen. Macht sie ein unerwartetes Geräusch, wiederholen Sie diesen Vorgang und überprüfen Sie sorgfältig, ob alle Kaffeeteilchen entfernt wurden. Wenn das Problem weiterhin besteht, wenden Sie sich an den Kundendienst.

Weitere Informationen unter [Fellowproducts.com/odemmanual](http://Fellowproducts.com/odemmanual)

Abbildung C:  
Explosionsansicht

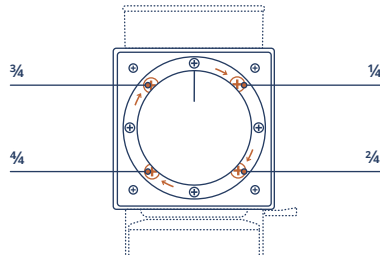


## Entfernen und Ersetzen der Mahlwerkscheiben

**VORSICHT: Die Mahlwerkscheiben sind scharf, bitte vorsichtig behandeln!**

1. Ziehen Sie den Stecker aus der Steckdose und entfernen Sie den Kaffee.
2. Entfernen Sie zunächst die Frontplatte der Mahlmaschine. Die Frontplatte lässt sich einfach ein- und ausschalten. Ziehen Sie vorsichtig an der Frontplatte, damit sie abbricht.
3. Lösen Sie mit einem Kreuzschlitzschraubendreher die vier größeren Schrauben, auf die Pfeile zeigen. Vergleiche Abbildung D.

Abbildung D.



4. Ziehen Sie am Rad, um die Zifferblattbaugruppe zu entfernen.
5. Entfernen Sie vorsichtig die Rotationsscheibe / Schnecke (die Ihnen am nächsten liegende Mahlwerkscheiben), den Schneckenschlüssel und die Feder aus der Kammer, indem Sie hineindrücken. Achten Sie darauf, beim Entfernen keine Teile zu verlieren. Vergleiche Abbildungen E und F.

Abbildung E

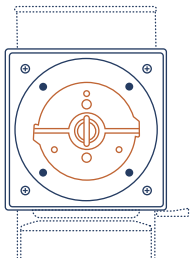
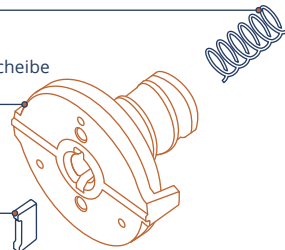


Diagramm F.

Feder

Die Rotationsscheibe  
und Schnecke

Schnecken-  
schlüssel



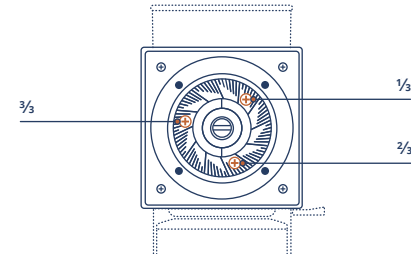
*Falls Sie nur reinigen, zerlegen Sie die Mahlwerkscheiben nicht weiter. Bürsten Sie mit der mitgelieferten Bürste vorsichtig Kaffeestaub von den Mahlwerkscheiben ab und ersetzen Sie die Mahlwerkscheiben.*

**Tauschen Sie die Mahlwerkscheiben aus, machen Sie mit den nächsten Schritten weiter.**

6. Die feste Mahlwerkscheibe ist an der Kammer angebracht. Um die feste Mahlwerkscheibe zu entfernen, entfernen Sie zunächst mit einem Kreuzschlitzschraubendreher die drei Schrauben, mit denen sie befestigt ist. Wenn sich in diesen Schrauben gemahlener Kaffee befindet, der deren Entfernung beeinträchtigt, entfernen Sie den gemahlener Kaffee mit einer kleinen Bürste, bevor Sie versuchen, die Schrauben zu entfernen. Entfernen Sie vorsichtig die feste Mahlwerkscheibe.

Vorsichtig die feste Mahlwerkscheibe entfernen. *Abbildung G.*

Abbildung G.



7. Die Rotationsscheibe ist am Bohrer befestigt. Um den Rotationsgrat zu entfernen, entfernen Sie zunächst mit einem Kreuzschlitzschraubendreher die drei Schrauben, mit denen er befestigt ist. Wenn sich in diesen Schrauben gemahlener Kaffee befindet, der deren Entfernung beeinträchtigt, entfernen Sie den gemahlener Kaffee mit einer kleinen Bürste, bevor Sie versuchen, die Schrauben zu entfernen. *Diagramm H und I, Seite 56.*
8. Heben Sie den Rotationsgrat vorsichtig vom Bohrer weg. Wiederholen Sie diese Schritte in umgekehrter Reihenfolge, um die Grate auszutauschen. Stellen Sie sicher, dass die Rotationsscheibe wieder an der Schnecke befestigt ist und dass die feste Mahlwerkscheibe wieder an der Kammer befestigt ist.

**Um das Mahlwerk zu ersetzen, führen Sie diese Schritte in umgekehrter Reihenfolge durch.** Stellen Sie sicher, dass die sich drehende Mahlwerkscheibe wieder an der Schnecke befestigt ist und dass die feste Mahlwerkscheibe wieder an der Mahlkammer befestigt ist.

Abbildung H.

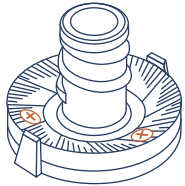
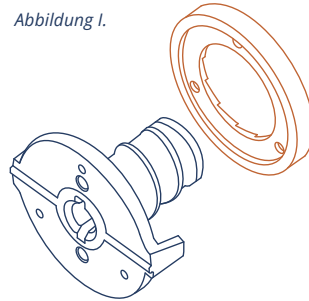


Abbildung I.



### Kalibrieren Sie Ihre Ode Brew Mahlmaschine

Die Ode Brew Mahlmaschine wurde zum Brühen von Kaffee entwickelt und kann für die meisten Espressomaschinen nicht fein genug mahlen. Wenn Sie jedoch für AeroPress® Coffee Maker, Prismo, Hario V60 oder andere Brühmethoden fein mahlen möchten, sollten Sie sicherstellen, dass die Stelle, an der sich die Mahlwerkscheiben am "Nullpunkt" Ihrer Mahlmaschine berühren, korrekt kalibriert ist, um diesen Bereich einfacher zu erreichen.

Ihre Mahlmaschine wird kalibriert geliefert, wobei sich die Mahlwerkscheiben bei Einstellung 1 berühren. Mit der Zeit ändert sich die Mahlwerkscheiben-Einstellung sich etwas, was normal ist, und Sie können erwarten, dass sich die Einstellungen hin zu etwas gröber verschieben. Bitte verwenden Sie Einstellung 1 nicht für Ihre ersten 5 Kilo Kaffee, da die Mahlwerkscheiben „quietschen“ und sich gegenseitig treffen.

Bei der Lieferung zeigt das Quietschen der Mahlwerkscheiben bei Einstellung 1 an, dass Ihre Mahlmaschine kalibriert ist. Kalibrierte Mahlmaschinen stimmen über alle Einstellungen mit der Mahlleistung überein. Dies hilft dabei, die Leistung über die Lebensdauer Ihrer Mahlmaschine konstant zu halten. Quietschen die Mahlwerkscheiben bei Einstellung 1 am Anfang nicht, wird Ihre Größe gröber als bei einer kalibrierten Mahlmaschine bei derselben Einstellung.

Videos zum Kalibrieren finden Sie unter [Fellowproducts.com/odemanual](https://fellowproducts.com/odemanual).

Weitere Informationen finden Sie unter:  
[Fellowproducts.com/odemanual](https://fellowproducts.com/odemanual)

### GARANTIE

Für Service, Reparaturen oder Fragen zu Ihrer Ode Brew Mahlmaschine besuchen Sie bitte [help.fellowproducts.com](https://help.fellowproducts.com) und senden Sie eine Anfrage. Senden Sie das Produkt NICHT an den Hersteller zurück und bringen Sie es zu einem Servicecenter auch nicht, ohne vorher mit einem anderen Kundendienstmitarbeiter gesprochen zu haben.

#### Ein Jahr eingeschränkte Garantie

Fellow bietet eine Garantie für dieses Produkt für ein Jahr nach dem ursprünglichen Kaufdatum des Verbrauchers gegen alle Mängel, die durch fehlerhaftes Material oder Verarbeitung verursacht sind.

Diese Garantie gilt nur:

für den ursprünglichen Verbraucher.

wenn die Mahlmaschine von autorisierten Händlern gekauft wurde.

mit dem Original-Kaufbeleg als Kaufnachweis für Ihren Garantieanspruch.

Diese Garantie deckt keine Schäden am Produkt, die aus einem der folgenden Gründe entstehen:

Unfälle, Missbrauch oder Reparaturen durch nicht autorisiertes Personal.

Betrieb mit der falschen Art von Strom oder Spannung.

Nichtbeachtung der Reinigungsanweisungen für die Mahlmaschine.

Nichteinhaltung der in den Warnungen und Anweisungen dieses Dokuments aufgeführten Sicherheitsvorkehrungen.

Wenn Sie etwas anderes als ganze geröstete Kaffeebohnen mahlen.

Wenn das Produkt innerhalb der Garantiezeit defekt sein sollte oder Sie Fragen zur Garantie oder zum Service haben, besuchen Sie uns unter [help.fellowproducts.com](https://help.fellowproducts.com) und senden Sie eine Anfrage.

# Ode Macinacaffè

Fellow Industries Inc.  
Fellowproducts.com  
Email: [hello@fellowproducts.com](mailto:hello@fellowproducts.com)  
San Francisco, CA 94110

Nome del prodotto: Ode Macinacaffè | In attesa di brevetto  
1 anno di garanzia limitata Progettato a San Francisco, realizzato in Cina

Modello	Specifiche
BGAAEU	220 V   50Hz   150 W   Peso: 4,5 kg   Dimensioni (LxPxA): 239 mm x 105 mm x 241,5 mm   Capacità di macinatura: 80 g   Lunghezza del cavo: 1 m



## Korrekte Entsorgung dieses Geräts



Diese Kennzeichnung bedeutet, dass dies Produkt in der ganzen EU nicht in den Haushaltsabfall gegeben werden darf. Führen Sie es zugunsten einer nachhaltigen Nutzung von Rohstoffen in verantwortungsvoller Weise einer Weiterverwertung zu, sodass mögliche Schädigung der Umwelt oder der menschlichen Gesundheit infolge unkontrollierter Entsorgung vermieden wird. Für die Rückgabe Ihres gebrauchten Geräts benutzen Sie bitte die Rückgabe- und Sammelsysteme, oder wenden Sie sich an den Einzelhändler, bei dem dieser Artikel erworben wurde. Er kann dieses Produkt zurücknehmen, um es einer umweltgerechten Wiederverwertung zuzuführen.

**SOLO PER USO DOMESTICO**  
**CONSERVARE QUESTE ISTRUZIONI**

Maggiori informazioni su [Fellowproducts.com/odemanual](https://Fellowproducts.com/odemanual)

## LEGGERE TUTTE LE ISTRUZIONI. NON GETTARE QUESTO MANUALE DI SICUREZZA.

### ATTENZIONE!

**Rischio di elettrocuzione:** Questo apparecchio ha una spina a tre poli con messa a terra. Collegare solamente a prese con messa a terra per evitare scosse elettriche o incendi. C'è una sola maniera per inserire la presa. Non invalidare la sicurezza d'uso della spina modificandola in alcun modo o utilizzando un adattatore. Non collegare questo apparecchio a una presa elettrica con una tensione diversa da quella specificata nella parte inferiore di questo apparecchio.

Non utilizzare un adattatore con questo apparecchio.

Per non rischiare di restare impigliati o di inciampare su un cavo lungo viene fornito un cavo corto. Se è necessario un cavo più lungo, è possibile utilizzare una prolunga a norma. Le specifiche elettriche nominali della prolunga devono essere uguali o superiori a quelle dell'apparecchio. Assicurarsi di non lasciare pendere la prolunga dal piano di lavoro o dal ripiano del tavolo dove potrebbe venir tirata dai bambini o potrebbe far inciampare. Per evitare un sovraccarico del circuito elettrico, non utilizzare apparecchi ad alta potenza sullo stesso circuito di questo apparecchio.

### MISURE DI SICUREZZA IMPORTANTI

**Leggere attentamente le avvertenze sulla sicurezza prima dell'uso e utilizzare il macinacaffè in maniera appropriata. Queste avvertenze sulla sicurezza riguardano l'uso sicuro e corretto del prodotto al fine di evitare rischi per l'utilizzatore e gli altri e danni alla proprietà. È necessario attenersi sempre alle precauzioni di sicurezza basilari quando si usano apparecchi elettrici, incluse le seguenti:**

Dopo aver disimballato il macinacaffè, smaltire con cura i sacchetti di plastica e gli altri imballaggi in modo che siano lontani dalla portata dei bambini.

Questo apparecchio è dotato di una spina a tre poli da collegare per l'uso a una corrispondente presa a tre poli con messa a terra. Collegare solamente a prese con messa a terra per evitare scosse elettriche o incendi.

Non immergere il cavo, la spina o qualsiasi altra parte del macinacaffè in acqua o altro liquido.

Fellow non consiglia l'uso di accessori in quanto potrebbe provocare incendi, scosse elettriche o lesioni personali.

Utilizzare solo con corrente alternata e la tensione corretta. Accertarsi che la tensione di alimentazione principale sia la stessa indicata sul lato inferiore del macinacaffè. Per evitare un sovraccarico elettrico, non utilizzare un altro apparecchio ad alta potenza sullo stesso circuito.

Non lasciare mai il macinacaffè incustodito durante l'uso. È necessaria la massima cautela quando un elettrodomestico è utilizzato da o in presenza di bambini. Tenere fuori dalla portata dei bambini.

Questo elettrodomestico non è pensato per l'utilizzo da parte di persone (compresi i bambini) con ridotte capacità fisiche, sensoriali o mentali, o senza la dovuta esperienza e conoscenza, se non sotto la supervisione e dietro istruzioni sull'uso dell'elettrodomestico da parte di una persona responsabile della loro sicurezza.

Utilizzare il macinacaffè su una superficie asciutta e piana lontana dal bordo del bancone per evitarne la caduta accidentale. Le vibrazioni durante il funzionamento possono causare il movimento del macinacaffè.

Non posizionare il macinacaffè a contatto con un'altra fonte di calore. Per esempio, non mettere sopra o vicino a un fornello a gas o elettrico caldo, in un forno riscaldato o in un forno a microonde.

Evitare il contatto con le parti mobili del macinacaffè.

Non manomettere la protezione per le dita che copre il condotto di macinatura con messa a terra. Non spostare mai il macinacaffè mentre l'unità è in uso.

Controllare prima dell'uso che nel contenitore di carico non vi siano oggetti estranei diversi dai chicchi di caffè.

Non introdurre sostanze che non siano chicchi di caffè o detergente per macinacaffè nell'unità.

Utilizzare solo caffè in grani interi nel macinacaffè. Non mettere caffè già macinato nel macinacaffè. Rimacinare caffè già macinato può provocare usura precoce del macinacaffè e invalida la garanzia.

Scollare l'elettrodomestico dalla presa quando non è in uso e prima di pulirlo. Attendere che le parti siano ferme prima di pulire il macinacaffè. Non utilizzare il macinacaffè senza aver correttamente posizionato il coperchio sul contenitore di carico.

Pulire l'esterno del macinacaffè solamente con un panno umido.

Fare attenzione a non rovesciare il macinacaffè, ciò potrebbe danneggiare il battente e i componenti interni. Per scollegare, afferrare la spina e rimuoverla dalla presa. Non tirare il cavo.

Evitare che il cavo penda dal bordo del tavolo o dal piano di lavoro.

Non utilizzare il macinacaffè se il cavo o la spina sono danneggiati, se il macinacaffè non funziona correttamente o se il prodotto è stato danneggiato in qualsiasi maniera.

Se danneggiato, il cavo di alimentazione deve essere sostituito dal produttore, dal suo agente di assistenza o da personale adeguatamente qualificato in modo da evitare rischi.

Smontare il macinacaffè seguendo strettamente le istruzioni della sezione "**Pulizia e conservazione**" di questo manuale. In caso di problemi come inceppamenti o altri problemi, consultare [help.fellowproducts.com](http://help.fellowproducts.com) e visitare la nostra pagina FAQ.

Non utilizzare per scopi diversi dalla macinazione di chicchi di caffè interi.

Questo apparecchio è destinato esclusivamente a uso domestico. L'utilizzo per scopi diversi da quello previsto invalida la garanzia di un anno.

Non utilizzare all'aperto.

Non posizionare utensili nel macinacaffè o nel condotto di macinatura.

Questo prodotto contiene magneti al neodimio. Non permettere MAI ai bambini di giocare con magneti al neodimio. Anche magneti relativamente piccoli possono causare gravi lesioni se ingeriti. Tenere sempre i magneti al neodimio fuori dalla portata dei bambini.

Mantenere sempre una distanza di sicurezza (almeno 10 cm) tra i magneti e tutti gli oggetti che possono essere danneggiati dal magnetismo e ricordare che i magneti al neodimio sono dieci volte più forti dei magneti "normali"! Oggetti come orologi meccanici, pacemaker cardiaci, monitor e televisori con tubi a raggi catodici, carte di credito, floppy disk e altri dispositivi di archiviazione magnetica come le videocassette risentono del magnetismo esercitato da magneti potenti.

Non usare il contenitore magnetico sopra una bilancia elettronica. Il contenitore magnetico può interferire con la precisione o addirittura danneggiare la bilancia elettronica. Non è consigliabile usare il contenitore magnetico sopra una bilancia elettronica.

Per ridurre il rischio di incendi o scosse elettriche, non rimuovere il coperchio inferiore dalla base o smontare la base del macinacaffè in alcun modo. Nessuna delle parti

interne è riparabile dall'utente. Solamente il personale di assistenza è autorizzato a eseguire riparazioni. L'apertura della base del macinacaffè comporta l'annullamento della garanzia di un anno.

Non utilizzare in presenza di materiale esplosivo e/o di vapori infiammabili.

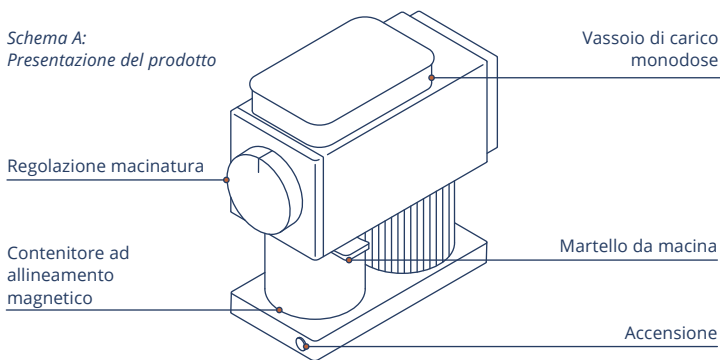
Per un uso corretto, utilizzare questo apparecchio per meno di 90 secondi alla volta osservando un tempo di riposo minimo di 90 secondi tra due cicli continui.

Il macinacaffè non può funzionare per più di 6 minuti nell'arco di un periodo di 10 minuti e deve riposare per almeno 30 minuti dopo un tempo di utilizzo superiore a 6 minuti.

## CONSERVARE LE ISTRUZIONI SOLO PER USO DOMESTICO

### PULIZIA E UTILIZZO

*Schema A:  
Presentazione del prodotto*





## ATTENZIONE!

Leggere completamente tutte le istruzioni per l'uso prima di accendere e utilizzare il macinacaffè.

Non utilizzare spugnette abrasive, prodotti chimici aggressivi o detergenti spray per la pulizia. Questi possono danneggiare la superficie del dispositivo.

Non mettere nessuna parte del macinacaffè in lavastoviglie.

### Prima dell'uso

Rimuovere e riciclare o eliminare tutti gli adesivi, le etichette descrittive, le fascette per cavi e i materiali di imballaggio, compresi gli adesivi statici e i cartellini con fascette.

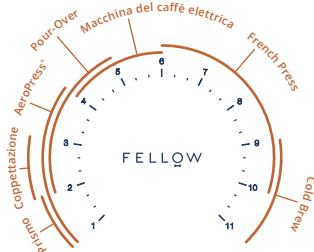
Prima di pulire, si consiglia di far funzionare il macinacaffè per 10 s a vuoto senza chicchi di caffè per aiutare a rimuovere chicchi/fondi dalla fresa e dal condotto di macinazione.

Scollegare sempre il cavo di alimentazione dalla presa prima della pulizia.

Pulire il corpo del macinacaffè con un panno morbido e umido. Pulire il fermo e il coperchio del fermo fissati magneticamente e asciugare con cura.

Posizionare il macinacaffè su una superficie piana e collegarlo a una presa con tensione corretta.

Schema B:  
Guida alla macinatura



### Istruzioni

1. Selezionare la granulometria di macinatura ruotando la manopola verso sinistra o destra (1 = fine, 11 = grossolana). Consulta la nostra Guida alla macinatura (Schema B) per la selezione.

*Non utilizzare l'impostazione 1 per i primi 10 kg di caffè perché ciò farà "cinguettare" le frese colpendosi a vicenda. Il macinacaffè è calibrato per avere come "punto zero" (l'impostazione in cui le frese si toccano) corrispondente all'impostazione 1. Questo punto di contatto con l'uso si sposta leggermente e le impostazioni tenderanno conseguentemente a virare leggermente verso una macinatura più grossolana. (Per ulteriori informazioni su contatto delle frese e punto zero, vedere pagina 70).*

2. Rimuovere il coperchio dal contenitore di carico monodose sollevandolo.
3. Versare la quantità desiderata di chicchi di caffè interi tostati nel contenitore di carico fino a un massimo di 80 g / 2,8 once. Rimettere il coperchio. Assicurarsi che il contenitore di raccolta sia completamente sotto il condotto e che sia vuoto.

*Non macinare più di 80 g di caffè senza svuotare il contenitore. L'eccessivo riempimento del contenitore può inceppare il macinacaffè.*

4. Premere il pulsante di accensione. Il macinacaffè inizierà a macinare e si fermerà automaticamente una volta terminata la macinazione dei chicchi. OPPURE tenere premuto il pulsante di accensione per più di 1,5 secondi. Il macinacaffè continuerà a macinare fino a quando non viene rilasciato il pulsante.

### Pulizia generale

In caso di uso quotidiano del macinacaffè, le frese devono essere pulite almeno ogni tre mesi con delle compresse (vedere di seguito per la pulizia automatica) o con una spazzola rigida.

Per pulire le frese, rimuoverle seguendo le istruzioni nella sezione **"Rimozione e sostituzione delle frese"**.

Non immergere il macinacaffè in acqua. NON lavare le frese con acqua. Non mettere mai le dita nel condotto di macinazione se l'elettrodomestico è collegato alla presa.

Utilizzando l'apposita spazzola, rimuovere delicatamente la polvere di caffè dalle frese e poi rimuovere le frese seguendo le istruzioni nella sezione **"Rimozione e sostituzione delle frese"**.

Lavare il contenitore pulendolo delicatamente con un panno morbido e acqua calda e sapone. Asciugare con un panno asciutto dopo la pulizia.

Pulire l'esterno del macinacaffè e il contenitore di carico con un panno morbido e umido.

### Pulizia automatica

Un modo rapido per pulire il macinacaffè consiste nell'utilizzare pastiglie per la pulizia di macinacaffè come le pastiglie Urnex GrindzTM. Queste sono progettate per prevenire l'intasamento liberando le particelle di caffè attaccate alle frese e assorbendo/rimuovendo odori e residui di caffè.

Per utilizzare le pastiglie per la pulizia, assicurarsi che tutti i chicchi siano stati macinati azionando il macinacaffè per 10-20 secondi. Seguire le istruzioni delle pastiglie di pulizia per dosarne la quantità appropriata nel macinacaffè. Regolare l'impostazione di macinatura su 11 e premere il pulsante di accensione per avviare il macinacaffè. Macinare tutte le compresse raccogliendole nel contenitore. Una volta completato, si consiglia di macinare circa 30 g di caffè per rimuovere eventuali residui delle compresse. Eliminare le compresse/caffè macinati dal contenitore e pulire.

## MANUTENZIONE

### Sblocco di una fresa inceppata

Potrebbe talvolta verificarsi che il macinacaffè Ode si inceppi e interrompa la macinatura. In questo caso, il macinacaffè smetterà di macinare prima di aver finito tutto il caffè nel serbatoio e emetterà un segnale acustico di "SOS".

Gli inceppamenti di modesta entità possono essere risolti come segue:

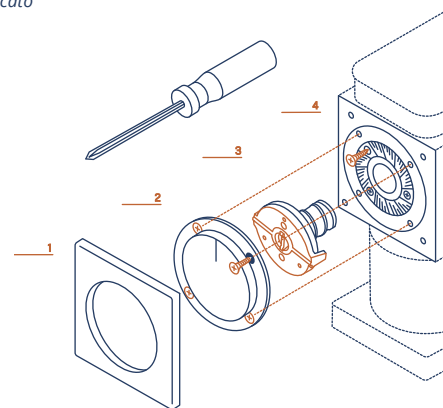
1. Verificare che il contenitore di raccolta sia vuoto. Ruotare la manopola di macinatura sull'impostazione 11.
2. Colpire il macinacaffè su di un lato più volte e agitare.
3. Premere il pulsante di accensione e continuare a colpire il lato del macinacaffè per alcuni secondi. Se la macinatura riprende, l'inceppamento è stato risolto. In caso contrario, seguire le istruzioni per eliminare un inceppamento di grave entità.

Gli inceppamenti di grave entità possono essere risolti come segue:

1. Scollegare il macinacaffè.
2. Rimuovere le frese come indicato nella sezione "Rimozione e sostituzione delle frese" di questo manuale.
3. Svuotare la camera di macinatura rimuovendo e gettando via il caffè.
4. Verificare che le frese non presentino chicchi di caffè o materiali estranei (sassolini, bastoncini, chicchi di caffè non tostati, ecc.) che potrebbero essere rimasti incastrati. Rimuovere i chicchi di caffè incastrati e pulire le frese come indicato nella sezione "Pulizia" di questo manuale.
5. Riposizionare le frese. Azionare il macinacaffè senza caffè per 5 secondi per verificarne il corretto funzionamento. Il macinacaffè dovrebbe girare silenziosamente e ad una velocità uniforme. Se il macinacaffè emette un rumore insolito, ripetere la procedura e ispezionare attentamente per assicurarsi che tutte le particelle di caffè siano state eliminate. Se il problema persiste, contattare il servizio clienti Fellow.

Per ulteriori informazioni, visitare [fellowproducts.com/odemanual](http://fellowproducts.com/odemanual)

Schema C: Spaccato

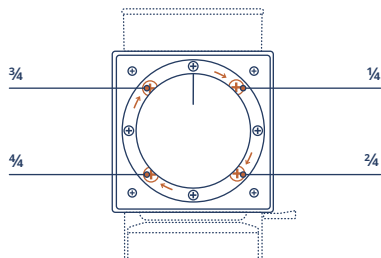


## Rimozione e sostituzione delle frese di macinatura

**ATTENZIONE: Le frese sono affilate, maneggiare con cura!**

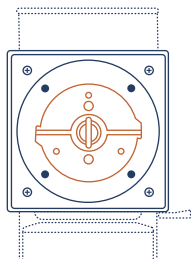
1. Scollegare il macinacaffè dalla presa e rimuovere il caffè.
2. Rimuovere innanzitutto la piastra anteriore del macinacaffè. La piastra anteriore si aggancia e sgancia facilmente. Tirarla delicatamente per sganciarla.
3. Con un cacciavite a stella, svitare le quattro viti più grandi indicate dalle frecce. Vedere lo schema D come riferimento.

Schema D



4. Tirare la manopola per rimuovere l'assemblaggio della manopola.
5. Rimuovere con cautela la fresa rotante/coclea (la fresa più vicina a sé), la chiave della coclea e la molla della camera di macinatura applicandovi pressione. Fare attenzione a non perdere alcun pezzo durante la rimozione. Vedere Diagramma E e F come riferimento.

Schema E

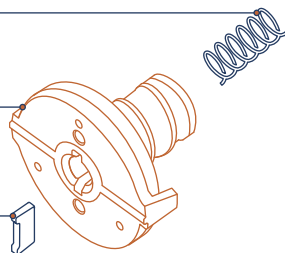


Schema F

Molla

Fresa rotante e coclea

Chiave della coclea



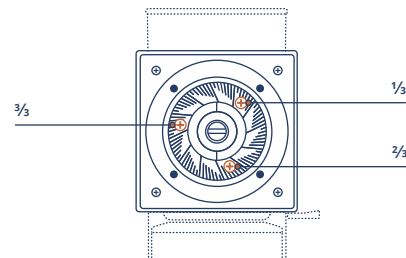
*Se si sta solo pulendo, non smontare ulteriormente le frese. Utilizzando l'apposita spazzola, rimuovere delicatamente la polvere di caffè dalle frese e riposizionarle.*

**Se si sta sostituendo le frese, continuare con i passaggi successivi.**

6. La fresa fissa è fissata alla camera di macinatura. Per rimuovere la fresa fissa, rimuovere innanzitutto le tre viti che la tengono in posizione utilizzando un cacciavite a croce. Qualora vi fosse su una di queste viti del caffè macinato che interferisce con la loro rimozione, utilizzare una piccola spazzola per ripulirle del caffè macinato prima di rimuoverle.

Rimuovere con cautela la fresa stazionaria. *Schema G*

Schema G

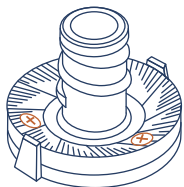


7. La fresa rotante è fissata alla trivella. Per rimuovere la fresa rotante, rimuovere innanzitutto le tre viti che la tengono in posizione utilizzando un cacciavite a croce. Qualora vi fosse su una di queste viti del caffè macinato che interferisce con la loro rimozione, utilizzare una piccola spazzola per ripulirle del caffè macinato prima di rimuoverle. Diagramma H e I, Pagina 70
8. Sollevare con cautela la fresa rotante dalla coclea.

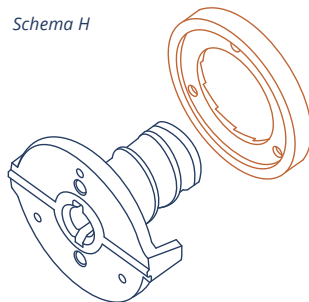
**Ripetere nell'ordine inverso per sostituire le frese.**

Assicurarsi che la fresa rotante sia stata riattaccata alla coclea e che la fresa stazionaria sia stata riattaccata alla camera di macinatura.

Schema H



Schema H



### Calibrazione di Ode Macinacaffè

Ode Macinacaffè è progettato per il caffè a infusione e non può macinare abbastanza finemente per la maggior parte delle macchine per caffè espresso. Tuttavia, nel caso della macinatura fine per macchina da caffè AeroPress®, Prismo, Hario V60 o altri metodi d'infusione, è possibile assicurarsi che il punto in cui le frese macinacaffè si toccano, o **"punto zero"**, sia calibrato correttamente per raggiungere meglio questo risultato.

Il macinacaffè è impostato con le frese che si toccano in corrispondenza dell'impostazione 1. Questo punto di contatto con l'uso si sposta leggermente e le impostazioni tenderanno conseguentemente a virare leggermente verso una macinatura più grossolana. Non utilizzare l'impostazione 1 per i primi 10 kg di caffè perché ciò farà "cinguettare" le frese colpendosi a vicenda.

All'inizio, le frese che cinguettano all'impostazione 1 indicano che il macinacaffè è calibrato. Le frese calibrate danno risultati di macinatura corrispondenti alle diverse impostazioni. Ciò aiuta a mantenere costanti i risultati di macinatura per tutta la vita del macinacaffè. Se non si sentono le frese che cinguettano all'impostazione 1 quando si utilizza il macinacaffè per la prima volta, la macinatura sarà più grossolana rispetto a quella di un macinacaffè con la stessa impostazione.

Video che descrivono la calibrazione sono disponibili su [Fellowproducts.com/odemanual](https://www.fellowproducts.com/odemanual)

Per ulteriori informazioni, consultare:  
[Fellowproducts.com/odemanual](https://www.fellowproducts.com/odemanual)

### GARANZIA

Per assistenza, riparazioni o domande relative al macinacaffè Ode, visitare [help.fellowproducts.com](https://help.fellowproducts.com) e inviare una richiesta. **NON** rispedire il prodotto al produttore o portarlo a un centro di assistenza senza prima aver parlato con un agente dell'assistenza clienti Fellow.

#### GARANZIA LIMITATA DI UN ANNO

Fellow garantisce questo prodotto contro qualsiasi difetto di materiale o lavorazione per un periodo di un anno dalla data originale di acquisto da parte del compratore.

#### Questa garanzia è valida solo per:

L'acquirente originario.

Se il macinacaffè è stato acquistato presso rivenditori autorizzati.

Segnalazioni sotto garanzia complete di ricevuta di vendita originale come prova di acquisto.

#### Questa garanzia non include danni al prodotto derivanti da:

Uso improprio o riparazioni eseguite da personale non autorizzato.

Funzionamento con tipo di corrente o tensione non corretto.

Mancato rispetto delle istruzioni per la pulizia del macinacaffè.

Mancato rispetto di tutte le misure di sicurezza elencate nelle avvertenze e nelle istruzioni di questo documento.

Macinatura di qualsiasi altra cosa che non sia chicchi di caffè tostati interi.

Qualora il prodotto dovesse diventare difettoso entro il periodo di garanzia o se ci fossero domande relative alla garanzia o all'assistenza, inviare un'e-mail a [hello@fellowproducts.com](mailto:hello@fellowproducts.com)

# Ode Bryggekevern

Fellow Industries Inc.  
Fellowproducts.com  
Email: [hello@fellowproducts.com](mailto:hello@fellowproducts.com)  
San Francisco, CA 94110

Produktnavn: Ode Bryggekevern | Påventer patent 1 års begrenset garanti |  
Designet i San Francisco, laget i Kina

Modell	Spesifikasjoner
BGAAEU	220V   50Hz   150W   Vekt: 4,5 kg Mål (LxBxH): 239mm x 105mm x 241,5 mm Sliperkapasitet: 80g   Ledningslengde: 1m



## Smaltimento corretto del prodotto



Questo simbolo indica che il prodotto non deve essere smaltito separatamente dai rifiuti domestici, in tutta l'UE. Per evitare danni all'ambiente o alla salute umana derivanti da uno smaltimento incontrollato dei rifiuti, si invita a favorire il riciclo responsabile del dispositivo al fine di promuovere il riutilizzo sostenibile delle risorse materiali. Per avviare il dispositivo giunto a fine vita allo smaltimento, avvalersi dei servizi di restituzione o dei centri di raccolta differenziata predisposti, oppure contattare il rivenditore presso il quale il prodotto è stato acquistato. Il prodotto potrà così essere avviato al riciclo in modo sicuro per l'ambiente.

**KUN FOR BRUK I HUSHOLDNINGER  
TA VARE PÅ DISSE INSTRUKSJONENE**

Mer info på [Fellowproducts.com/odemannual](https://Fellowproducts.com/odemannual)

## LES ALLE INSTRUKSJONER. IKKE KAST BORT DENNE SIKKERHETSGUIDEN.

### ADVARSEL!

**Fare for elektrisk støt:** Dette apparatet har en jordet, tredelt plugg. For å sikre beskyttelse mot risikoen for elektrisk støt eller brann, koble kun til jordet uttak. Støpselet passer bare en vei inn i en stikkontakt. Ikke overstyr sikkerhetsformålet med pluggen ved å endre pluggen på noen måte eller ved å bruke en adapter. Ikke koble apparatet til en stikkontakt med en annen spenning enn det som er angitt på undersiden av apparatet.

Ikke bruk en adapter sammen med dette apparatet.

En kort strømledning følger med for å redusere risikoen for å bli viklet inn i eller snuble over en lengre ledning. Hvis en lengre ledning er nødvendig, vil en godkjent skjøteledning kunne brukes. Den elektriske belastningen av skjøteledningen må være større enn eller lik belastningen av dette apparatet. Forsikre deg om at skjøteledningen ikke legges over benken eller bordplaten der den kan trekkes i av barn eller snubles over. For å unngå en elektrisk kretsoverbelastning, må du ikke bruke noen apparat med høy wattstyrke på samme krets som apparatet.

### VIKTIGE SIKKERHETSTILTAK

**Før bruk, les disse sikkerhetsadvarslene nøye, og bruk kvernen på riktig måte. Disse sikkerhetsadvarslene er indikert for sikker og riktig bruk av dette produktet, for å forhindre fare for brukeren eller andre, og skade på eiendom. Når du bruker elektriske apparater, skal grunnleggende forholdsregler alltid følges, inkludert følgende:**

Etter utpakking av kvernen, kast forsiktig alle plastposer og annen emballasje slik at barn og andre ikke kan nå dem.

Dette apparatet har en jordet, tredelt plugg og må være jordet med et tredelt uttak når den er i bruk. For å sikre beskyttelse mot risikoen for elektrisk støt eller brann, koble kun til jordet uttak.

Ikke senk ledning, støpsel, eller noen annen del av kvernen i vann eller annen væske.

Bruk av tilbehør og vedlegg er ikke anbefalt av Fellow, da det kan resultere i brann, elektrisk støt eller personskafe.

Bruk bare med AC strøm og riktig spenning. Sikre at din hovednettspenning er den samme som er merket på undersiden av kvernen din. For å unngå elektrisk overbelastning må du ikke bruke et annet apparat med høy wattstyrke på samme krets.

La aldri kvernen stå uten tilsyn når den er i bruk. Tett oppfølging er nødvendig når apparatet brukes av eller i nærheten av barn. Ikke bruk innen barns rekkevidde.

Dette apparatet er ikke beregnet for bruk av personer (inkludert barn) med reduserte fysiske, sensoriske eller mentale evner, eller manglende erfaring og kunnskap, med mindre de har fått veiledning eller instruksjon om bruken av apparatet av en person som er ansvarlig for deres sikkerhet.

Kvernen må brukes på et tørt, flatt underlag bort fra kanten av disken for å forhindre utilsikket velting. Vibrasjoner under bruk kan få kvernen til å flytte seg.

Ikke plasser der kvernen kan berøre noen annen varmekilde. For eksempel, på eller nær en varm gassbrenner eller elektrisk brenner, i en oppvarmet ovn, eller i en mikrobølgeovn.

Unngå kontakt med bevegelige deler av kvernen.

Ikke tukle med fingerbeskyttelsen som dekker det elektrisk jodede utløpet. Flytt aldri kvernen mens enheten er i bruk.

NO: Sjekk at det ikke er ukjente objekter som ikke er kaffebønner i ileggsskuffen før bruk.

Ikke legg andre stoffer enn kaffebønner og kvernrensere i kvernen.

Bruk bare hele kaffebønner i kvernen. Ikke legg kaffe som allerede har blitt malt i kvernen. Å kverne kaffe som allerede har blitt malt kan føre til at kvernen slites ut raskere og vil gjøre garantien ugyldig.

Koble laderen fra stikkontakten når den ikke er i bruk og før rengjøring. La deler slutte å bevege seg før du rengjør kvernen. Ikke bruk kvernen uten lokk riktig plassert på ileggsskuffen.

Rengjør kun utsiden av kvernen med en fuktig klut.

Forsikre deg om at du ikke tipper kvernen, da dette kan skade knuseren og indre deler.

For å koble fra, hold i støpslet og ta ut stikkkontakten. Trekk aldri i ledningen.

Ikke la ledningen henge over kanten av et bord eller en benk.

Ikke bruk kvernen med en skadet ledning eller plugg, hvis kvernen ikke fungerer som den skal, eller hvis produktet har blitt skadet på noen måte.

Hvis strømledningen er skadet, må den byttes av produsenten, serviceagenten eller tilsvarende kvalifiserte personer for å unngå fare.

Demonter kvernen din kun som anvist i avsnittet "Rengjøring og Lagring" i denne brukerveiledningen. Hvis du har problemer med fastkiling eller andre problemer, sjekk [help.fellowproducts.com](http://help.fellowproducts.com) og besøk vår FAQ-side.

Ikke bruk til andre formål enn kverning av hele kaffebønner.

Dette apparatet er kun beregnet for bruk i husholdninger. Bruk til noe annet enn tiltenkt bruk vil føre til tap av ett-årig garanti.

Ikke bruk utendørs.

Ikke sett redskaper i kvernen eller kvernsjakten.

Dette produktet inneholder neodymmagneter. Barn bør ALDRI få lov til å leke med NEODYM-magneter. Selv relativt små magneter kan føre til alvorlige personskader hvis de svelges. Hold alltid alle neodymmagneter utilgjengelig for barn.

Hold alltid en trygg avstand (minst 10 cm) mellom magneter og alle objekter som kan bli skadet av magnetismen, neodym-magneter er ti ganger sterkere enn 'vanlige' magneter! Elementer som mekaniske klokker, hjertepacemakere, CRT-skjermer og fjernsyn, kredittkort, disketter og andre magnetisk lagrede medier som for eksempel video-kassetter påvirkes alle av kraftige magneter.

Ikke bruk den magnetiske oppsamleren oppå en elektronisk vekt. Den magnetiske oppsamleren kan påvirke nøyaktigheten av, eller forårsake skade på, en elektronisk vekt. Det er ikke anbefalt å bruke den magnetiske oppsamleren oppå en elektronisk vekt.

For å redusere risikoen for brann eller elektrisk støt må du ikke fjerne dekselet fra basen eller demontere basen av kvernen på noen måte. Det er ingen deler som kan repareres av brukeren på innsiden. Reparasjon bør utføres av autorisert servicepersonell. Åpning av basen på kvernen vil resultere i bortfall av den ett-årige garantien.

Må ikke brukes i nærheten av eksplosive og/eller brennbare gasser.

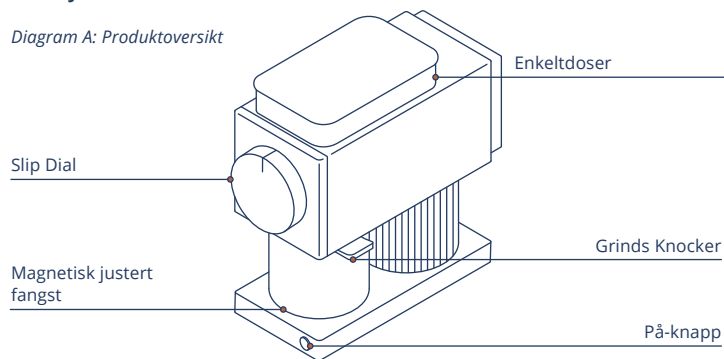
For korrekt bruk, bruk dette apparatet i mindre enn 90 sekunder per gang, med minimum 90 sekunder hviletid opprettholdt mellom en kontinuerlig to-syklus.

Kvernen kan ikke fungere 6 minutter kontinuerlig i løpet av 10 minutter, og den må hvile i 30 minutter dersom brukstiden overstiger 6 minutter.

## KUN FOR HUSHOLDNINGER TA VARE PÅ DISSE INSTRUKSJONENE

### RENGJØRING OG BRUK

Diagram A: Produktoversikt



### FORSIKTIG!

Les alle brukerinstruksjoner helt før du slår på og bruker kvernen.

Ikke bruk skureputer, harde kjemikalier eller sprayrense-kjemikalier for å rengjøre. Disse kan skade overflaten på apparatet.

Ikke sett noen deler av kvernen i oppvaskmaskinen.

## FØR BRUK

Fjern og resirkuler eller kast alle klistremerker, beskrivende etiketter, kabelbindere og emballasje, inkludert statiske klistremerker og hengetiketter med bånd.

Før rengjøring anbefaler vi at du kjører kvernen i 10 sekunder uten kaffebønner, for å hjelpe til å fjerne bønner/malte bønner fra valsene og kvernsjakten.

Trekk alltid ut strømledningen fra stikkkontakten før rengjøring.

Tørk hoveddelen av kvernen med en myk, fuktig klut. Rengjør magnetisk justert oppsamler og oppsamlerlokket og tørk grundig.

Plasser kvernen på en plan overflate, og koble til korrekt spenning.

Diagram B: Kverningsguide



## Hvordan bruke

1. Velg kverningsgrad ved å vri kverningsbryteren til venstre eller høyre (1 = fin, 11 = grov). Se vår kverningsguide (Diagram B) for å hjelpe til å gjøre ditt valg

*Vennligst ikke bruk innstilling 1 for dine første 5 kg kaffe, siden valsene vil "gnisse" og treffe hverandre. Kvernen ankommer kalibrert med sitt "nullpunkt" (innstilling der valsene rører hverandre) på innstilling 1. Etterhvert som valsene innkjøres, vil berøringsinnstillingen for valsene skifte, noe som er normalt, og som sådan kan du forvente at innstillingene skifter og blir litt grovere. (Se side 84 for mer informasjon om valsenes berøringsgrense/nullpunkt).*

2. Fjern lokket fra ileggsskuffen for enkeltdose ved å løfte av.
3. Hell ønsket mengde brente hele kaffebønner opp i ileggsskuffen, opp til maksimalt 80 g. Sett på lokket igjen. Forsikre deg om at oppsamleren er rett under sjakten og at den er tom. Ikke mal mer enn 80 g kaffe uten å tømme oppsamleren. Lar man oppsamleren overfylles kan kvernen gå i lås.
4. Trykk på På-knappen. Kvernen vil starte kverning og stoppe automatisk når bønnene er ferdig kvernet. ELLER trykk og hold inne På-knappen i mer enn 1,5 sekunder. Kvernen vil kverne til knappen slippes opp.

## Generell rengjøring

Hvis kvernen brukes daglig, bør valsene rengjøres minst hver tredje måned ved hjelp av tabletter (se nedenfor for automatisk rengjøring) eller med en stiv børste.

For å rengjøre valser, fjern valsene ved å følge instruksjonene i avsnittet "**Fjerne og gjeninnsette kverns vals**".

Ikke senk kvernen ned i vann. IKKE vask valsene med vann. Plasser aldri fingrene inn i kvernsjakten mens kvernsjakten mens maskinen er koblet i.

Ved hjelp av medfølgende børste, børst forsiktig kaffestøv av valsene og gjeninnsett valser ved å følge instruksjonene i avsnittet "**Fjerne og gjeninnsette kverns vals**".

For å vaske oppsamleren, tørk forsiktig med en myk klut og varmt såpevann. Tørk av med en tørr klut etter rengjøring.

Tørk kverns utside og ileggsskuffen med en myk, fuktig klut.



## Automatisk rengjøring

En rask måte å rengjøre kvernen er med kvernrengjørings-tabletter, som Urnex Grindz™ kvernrengjørings-tabletter. Disse er designet for å hindre tilstopping ved å løse kaffepartikler som sitter fast i valsene, og absorbere/fjerne lukt og rester av kaffeolje.

For å bruke rengjøringstabletter, sørg for at alle bønner er kjørt gjennom kvernen ved å la den kjøre i 10-20 sekunder. Bruk instruksjonene til rengjøringstablettene for å plassere riktig mengde i kvernen. Juster kvernens innstilling til 11, og trykk På-knappen for å kjøre kvernen. Kvern alle tablettene over i oppsamleren. Når du har fullført dette, anbefaler vi å kverne ca. 30 g kaffe, for å fjerne eventuelle tablettrester. Kast de kvernedede tablettene/kaffe fra oppsamleren og rengjør.

## VEDLIKEHOLD

### Tømme en kvern som har gått i lås

Noen ganger kan Ode Bryggekværn gå i lås og stoppe kverning. Når dette skjer vil kvernen stoppe kverning før den er ferdig med all kaffe i beholderen og pipe "SOS" (save our ship).

### Mindre fastkilinger kan fjernes som følger:

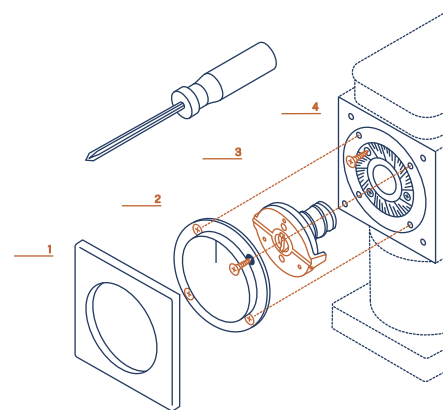
1. Sjekk at oppsamleren er tom. Skru kverningsbryteren på innstilling 11.
2. Dunk ordentlig i kvernen på siden flere ganger og rist.
3. Trykk På-knappen og fortsett å dunk på siden av kvernen i flere sekunder. Hvis kverning fortsetter, er fastkilingen blitt fjernet. Hvis ikke fortsetter du med instruksjonene for å fjerne en stor fastkiling.

### Store fastkilinger kan fjernes som følger:

1. Koble fra kvernen
2. Fjern valsene som beskrevet i avsnittet "**Fjerne og gjeninnsette kvernens valser**" i denne brukerveiledningen.
3. Fjern kaffe fra kvernens kammer og kast.
4. Inspiser valsene for kaffebønner eller ukjente materialer (steiner, pinner, ubrente kaffebønner etc.) som kan bli sittende fast. Fjern fastkilte kaffebønner og rengjør valsene som beskrevet i avsnittet "**Rengjøring**" i denne brukerveiledningen.
5. Gjeninnsett valsene. Kjør kvernen uten kaffe i 5 sekunder for å sjekke at den fungerer som vanlig. Kvernen skal spinne stille og med jevn fart. Hvis kvernen lager uventet støy, gjenta denne prosessen og inspiser nøye for å sikre at alle kaffepartikler har blitt ryddet ut. Hvis problemet vedvarer, kontakt Fellow kundeservice.

For mer hjelp, besøk [fellowproducts.com/odemmanual](https://fellowproducts.com/odemmanual).

Diagram C: Utvidet visning

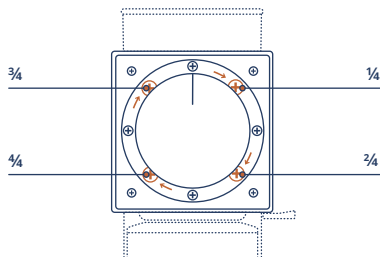


## Fjerne og gjeninnsette kvernsens valser

**FORSIKTIG:** Kvernsens valser er skarpe, vennligst håndter forsiktig!

1. Koble fra kvernen og tøm den for kaffe.
2. Start med å fjerne dekelet på kvernen. Frontplaten klikker ganske enkelt på og av. Trekk forsiktig i platen for å hekte den av.
3. Ved hjelp av en Phillips-skrutrekker, skru ut de fire store skruene som har piler som peker mot dem. Se Diagram D for referanse.

Diagram D



4. Dra i kverningsbryteren for å fjerne kverningsbryterens monterings.
5. Fjern forsiktig den roterende valsen/skruen (valsen nærmest deg), skru-nøkkelen, og fjæren fra kvernsens kammer ved å trykke inn. Pass på å ikke miste noen deler etterhvert som du fjerner de. Se Diagram E og F for referanse.

Diagram E

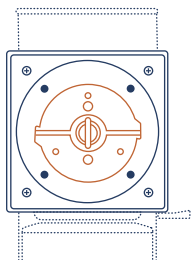
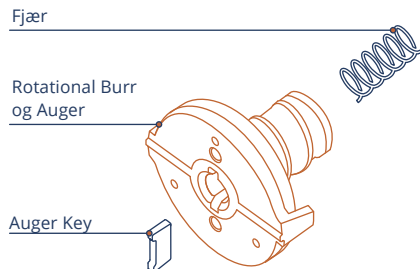


Diagram F



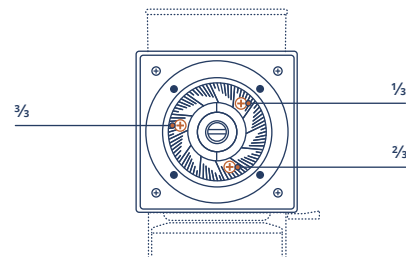
Hvis du bare rengjør må du ikke demontere valsene mer. Ved hjelp av den medfølgende børsten, børst forsiktig kaffestøvet av valsene og gjeninnsett valsene.

Hvis du skal bytte valserer, fortsetter du til neste trinn.

6. Den stasjonære valsen er festet til kvernsens kammer. For å fjerne den stasjonære valsen, start med å bruke en Phillips-skrutrekker til å fjerne de tre skruene som holder den på plass. Hvis det er malt kaffe i disse skruene som forstyrrer deres fjerning, bruk en liten børste for å fjerne den malte kaffen før du forsøker å fjerne skruene.

Fjern forsiktig den stasjonære valsen. Diagram G

Diagram G



7. Den roterende valsen er festet til skruen. For å fjerne den roterende valsen, start med å bruke en Phillips-skrutrekker til å fjerne de tre skruene som holder den på plass. Hvis det er malt kaffe i disse skruene som forstyrrer deres fjerning, bruk en liten børste for å fjerne den malte kaffen før du forsøker å fjerne skruene. Diagram H og I.
  8. Løft forsiktig den roterende valsen bort fra skruen. For å gjeninnsette valsene gjentar du disse trinnene i motsatt rekkefølge. Sørg for at den roterende valsen er festet tilbake til skruen, og at den stasjonære valsen er koblet til kvernsens kammer.
- For å bytte ut valsene, gjenta disse trinnene i motsatt rekkefølge.** Sørg for at den roterende valsen er koblet til skruen og at den stasjonære valsen er koblet til kvernsens kammer.

Diagram H

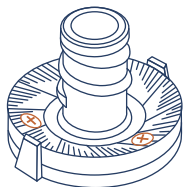
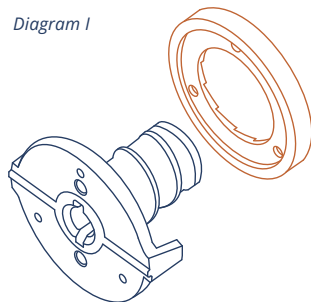


Diagram I



### Kalibrere din Ode Bryggekværn

Ode Bryggekværn er designet for brygging av kaffe og kan ikke male fint nok for de fleste espresso-maskiner. Imidlertid, hvis du liker å male fint for AeroPress® kaffetrakter, Prismo, Hario V60, eller andre bryggemetoder, kan det hende du ønsker å sørge for at der valsene berører hverandre, eller "**null-punktet**", på sliperen er riktig kalibrert, for å bedre oppnå dette nivået.

Din kaffekværn kommer kalibrert med sine valser i berøring ved innstilling 1. Etterhvert som valsene innkjøres, vil berøringsinnstillingen for valsene skifte, noe som er normalt, og som sådan kan du forvente at innstillingene skifter og blir litt grovere. Vennligst ikke bruk innstilling 1 for dine første 5 kg kaffe, siden valsene vil "gnisse" og treffe hverandre.

Ved ankomst vil valsenes gnissing ved innstilling 1 indikere at kværnen er kalibrert. Kalibrerte kverner matcher kværnens produksjon på tvers av alle innstillinger. Dette hjelper til med å holde kværnens ytelse konsistent gjennom kværnens levetid. Hvis du ikke kan høre valsenes gnisse ved innstilling 1 når kværnen først ankommer, vil oppmalings-størrelsen være grovere enn en kalibrert kvern med samme innstilling.

For å se videoer om hvordan du kalibrerer, gå til [Fellowproducts.com/odemanual](https://www.fellowproducts.com/odemanual)

Finn mer informasjon på:  
[Fellowproducts.com/odemanual](https://www.fellowproducts.com/odemanual)

### GARANTI

For service, reparasjon eller spørsmål angående din Ode Bryggekværn, vennligst besøk [help.fellowproducts.com](https://www.fellowproducts.com) og send inn en forespørsel. IKKE post produktet tilbake til produsenten eller ta det med til et servicested uten først å snakke med en representant for Fellow kundeservice.

#### Ett års begrenset garanti

Fellow garanterer dette produktet mot alle mangler som skyldes feil i materiale eller utførelse i ett år fra den opprinnelige kjøpsdatoen.

#### Denne garantien er bare gyldig for:

Den opprinnelige forbrukeren.

Når kværnen er kjøpt gjennom autoriserte forhandlere.

Med den originale kvitteringen som kjoepsbevis for å gjøre krav på garantien.

#### Denne garantien omfatter ikke skade på produktet som skyldes:

Ulykke, misbruk, eller reparasjoner utført av uautorisert personell.

Drift med feil type strøm eller spenning.

Unnlatelse fra å følge instruksjoner for rengjøring av kværnen.

Unnlatelse fra å overholde eventuelle sikringstiltak nevnt i advarslene og instruksjonene i dette dokumentet.

Kværning av annet enn hele brente kaffebønner.

Hvis produktet skulle bli defekt i løpet av garantiperioden, eller du har spørsmål om garanti eller service, kan du besøke oss på [help.fellowproducts.com](https://www.fellowproducts.com) og sende inn en forespørsel

# Młynek do kawy Ode

Fellow Industries Inc.  
Fellowproducts.com  
Email: [hello@fellowproducts.com](mailto:hello@fellowproducts.com)  
San Francisco, CA 94110

Nazwa produktu: Młynek do kawy Ode | Procedura patentowa w toku, jednoroczna gwarancja | Zaprojektowano w San Francisco, wyprodukowano w Chinach

Model	Specyfikacja
BGAAEU	220 V   50 Hz   150 W   Waga: 4,5 kg Wymiary (LxWxH): 239 mm x 105 mm x 241,5 mm Pojemność młynka: 80 g   Długość kabla: 1 m



## Riktig avhending av dette produktet



Dette merket indikerer at dette produktet ikke skal avhendes sammen med annet husholdningsavfall innenfor EU. For å forebygge mulig skade på miljøet eller menneskers helse fra ukontrollert avhending, resirkuler det ansvarlig for å bidra til bærekraftig gjenbruk av materialressurser. For å returnere din brukte enhet, bruk retur- og innsamlingssystemet eller kontakt forhandleren der produktet ble kjøpt. De kan ta hånd om produktet for miljøvennlig resirkulering.

**TYLKO DO UŻYTKU DOMOWEGO  
ZACHOWAJ TE INSTRUKCJE**

Więcej informacji na stronie [Fellowproducts.com/odemanual](https://fellowproducts.com/odemanual)

## **PRZECZYTAJ CAŁĄ INSTRUKCJĘ. NIE NALEŻY WYRZUCAĆ TEJ INSTRUKCJI BEZPIECZEŃSTWA.**

### **OSTRZEŻENIE!**

**Zagrożenie porażeniem:** To urządzenie ma uziemioną wtyczkę z trzema bolcami. Aby zapewnić ochronę przed porażeniem prądem elektrycznym lub pożarem, należy podłączać wyłącznie do gniazdek z odpowiednim uziemieniem. Wtyczka pasuje tylko w jeden sposób do gniazdka. Nie wolno naruszać zabezpieczeń wtyczki, modyfikując ją w jakikolwiek sposób lub używając adaptera. Nie należy podłączać tego urządzenia do gniazdka o napięciu innym niż podane na spodzie urządzenia.

Nie należy używać adaptera.

W celu zmniejszenia ryzyka zapłatania się lub potknięcia o kabel, dostarczany jest krótki kabel zasilający. Jeżeli potrzebny jest dłuższy kabel, można użyć odpowiedniego przedłużacza. Parametry elektryczne przedłużacza muszą być równe lub większe od parametrów znamionowych tego urządzenia. Należy zwrócić uwagę, aby przedłużacz znajdował się w miejscu niedostępnym dla dzieci. Aby uniknąć przeciążenia obwodu elektrycznego, nie należy używać żadnych urządzeń wysokiej mocy w tym samym obwodzie z tym urządzeniem.

## **WAŻNE ZASADY BEZPIECZEŃSTWA**

Przed użyciem należy dokładnie zapoznać się z ostrzeżeniami dotyczącymi bezpieczeństwa i używać młynka zgodnie z jego przeznaczeniem. Te ostrzeżenia dotyczące bezpieczeństwa są wskazane w celu bezpiecznego i prawidłowego użytkowania produktu, aby zapobiec niebezpieczeństwu dla użytkownika lub innych osób oraz uszkodzeniu mienia. Podczas korzystania z urządzeń elektrycznych należy zawsze przestrzegać podstawowych zasad bezpieczeństwa, w tym poniższych wskazówek:

Po rozpakowaniu młynka należy ostrożnie pozbyć się plastikowych torebek i innych folii, aby dzieci i inne osoby nie mogły do nich sięgnąć.

Urządzenie posiada uziemioną wtyczkę z trzema bolcami i musi być uziemione przy użyciu odpowiedniego gniazdka. Aby zapewnić ochronę przed ryzykiem porażenia prądem elektrycznym lub pożaru, należy podłączać urządzenie wyłącznie do gniazdka z odpowiednim uziemieniem.

Nie wolno zanurzać kabla, wtyczki ani żadnej innej części młynka w wodzie lub innej cieczy.

Używanie dodatkowych elementów wyposażenia nie jest zalecane przez firmę Fellow, ponieważ może to spowodować pożar, porażenie prądem elektrycznym lub obrażenia ciała.

Używać tylko z prądem zmiennym i właściwym napięciem. Upewnij się, że główne napięcie zasilania jest takie samo, jak oznaczone na spodzie młynka. Aby uniknąć przeciążenia elektrycznego, nie należy używać innego urządzenia wysokonapięciowego w tym samym obwodzie.

Nigdy nie pozostawiaj młynka bez nadzoru podczas użytkowania. Ścisły nadzór jest konieczny, gdy jakiegokolwiek urządzenie jest używane przez dzieci lub w ich pobliżu. Nie należy używać urządzenia w zasięgu dziecka.

Urządzenie nie jest przeznaczone do użytkowania przez osoby (w tym dzieci) o ograniczonych zdolnościach fizycznych, sensorycznych lub umysłowych, lub osoby nieposiadające doświadczenia i wiedzy, chyba że zostały one poinstruowane lub są pod nadzorem osoby odpowiedzialnej za ich bezpieczeństwo w zakresie użytkowania tego urządzenia.

Młynek musi być używany na suchej, płaskiej powierzchni z dala od krawędzi, aby zapobiec przypadkowemu przewróceniu się. Wibracje podczas pracy mogą spowodować ruch młynka.

Nie należy umieszczać młynka w miejscu, w którym mógłby dotykać innych źródeł ciepła. Na przykład na palniku gazowym, palniku elektrycznym, w piekarniku lub mikrofalówce ani w pobliżu żadnego z tych urządzeń.

Unikać kontaktu z ruchomymi częściami młynka.

Nie należy naruszać osłony zakrywającej uziemioną elektrycznie zsuwnię wylotową.

Nigdy nie przesuwaj młynka podczas pracy urządzenia.

Przed użyciem należy sprawdzić, czy w pojemniku nie ma żadnych ciał obcych, które nie są ziarnami kawy.

Do młynka nie wolno wkładać żadnych substancji innych niż ziarna kawy i środek czyszczący do młynka.

W młynku należy stosować wyłącznie kawę ziarnistą w postaci całych ziaren. Do młynka nie wolno wrzucać kawy, która została już zmielona. Ponowne mielenie kawy, może spowodować szybsze zużycie młynka i utratę gwarancji.

Odłącz wtyczkę od gniazdka, gdy urządzenie nie jest używane lub przed czyszczeniem.

Przed czyszczeniem młynka należy pozwolić, aby części przestały się poruszać. Nie wolno używać młynka bez pokrywy, która powinna być prawidłowo umieszczona na pojemniku na odpady.

Zewnętrzną część młynka należy czyścić tylko wilgotną ściereczką.

Uważaj, aby nie uszkodzić młynka, gdyż może to uszkodzić mechanizm dźwigni blokady i elementy wewnętrzne.

Aby odłączyć wtyczkę, należy chwycić za wtyczkę i wyciągnąć ją z gniazdka. Nigdy nie ciągnąć za kabel.

Nie pozwól, aby kabel wisiał ponad krawędzią stołu lub lady.

Nie należy używać młynka z uszkodzonym kablem lub wtyczką, jeśli młynek działa wadliwie lub jeśli produkt został w jakikolwiek sposób uszkodzony.

Jeśli przewód zasilający jest uszkodzony, musi zostać wymieniony przez producenta, jego serwisanta lub podobnie wykwalifikowane osoby, aby uniknąć zagrożenia.

Młynek należy demontować wyłącznie zgodnie z zaleceniami zawartymi w rozdziale „Czyszczenie i przechowywanie” niniejszej instrukcji. Jeśli młynek się zacina lub masz inny problem, wejdź na stronę [help.fellowproducts.com](http://help.fellowproducts.com) i odwiedź dział FAQ.

Nie używać do innych celów niż mielenie kawy ziarnistej.

To urządzenie jest przeznaczone wyłącznie do użytku domowego. Użycie urządzenia do celów innych niż zamierzone spowoduje utratę rocznej gwarancji.

Nie należy używać urządzenia na zewnątrz.

Nie należy wkładać żadnych narzędzi do młynka ani zsypu z mieloną kawą.

Ten produkt zawiera magnesy neodymowe. Dzieci nigdy nie powinny bawić się tymi magnesami. Nawet stosunkowo małe magnesy mogą spowodować poważne obrażenia w przypadku ich połknięcia. Wszystkie magnesy neodymowe należy zawsze przechowywać w miejscu niedostępnym dla dzieci.

Zawsze należy zachowywać bezpieczną odległość (co najmniej 10 cm) między magnesami a wszystkimi przedmiotami, które mogą zostać uszkodzone przez pole magnetyczne. Należy pamiętać, że magnesy neodymowe są dziesięciokrotnie silniejsze od „zwykłych” magnesów! Silne magnesy mają wpływ na takie przedmioty, jak zegarki mechaniczne, rozruszniki serca, monitory kineskopowe i telewizory, karty kredytowe, dyskietki i inne magnetyczne nośniki przechowujące dane, takie jak taśmy wideo.

Nie należy używać zatrzasku magnetycznego na wadze elektronicznej. Zatrzask magnetyczny może zakłócić dokładność, a nawet uszkodzić wagę elektroniczną. Nie zaleca się używania zatrzasku magnetycznego na wadze elektronicznej.

Aby zmniejszyć ryzyko pożaru lub porażenia prądem, nie należy zdejmować dolnej pokrywy z podstawy ani w żaden sposób demontować podstawy młynka. Wewnątrz nie ma części, które mogą być obsługiwane przez użytkownika. Naprawy powinny być wykonane wyłącznie przez autoryzowany personel serwisowy. Otwarcie podstawy młynka spowoduje unieważnienie rocznej gwarancji.

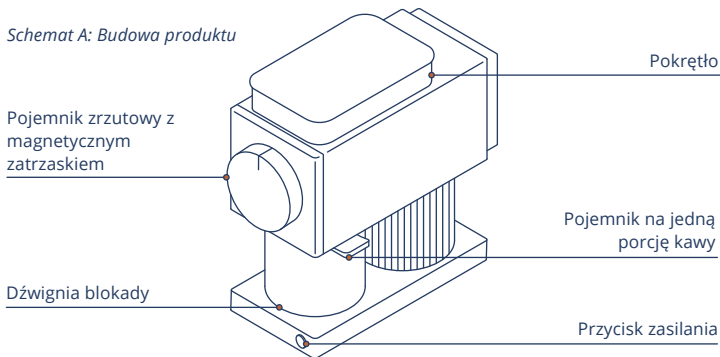
Nie należy pracować w obecności wybuchowych i/lub łatwopalnych oparów. W celu prawidłowego użytkowania, urządzenie powinno być uruchamiane na czas krótszy niż 90 sekund, z zachowaniem co najmniej 90 sekundowego czasu odpoczynku pomiędzy dwoma ciągłymi cyklami.

Młynek nie może pracować nieprzerwanie przez 6 minut w ciągu 10 minut, a jeśli czas pracy przekracza 6 minut, musi następnie odpocząć przez 30 minut.

## Tylko do użytku domowego Zachowaj te instrukcje

### CZYSZCZENIE I UŻYWANIE

Schemat A: Budowa produktu



## UWAGA!

Przed włączeniem i użytkowaniem młynka należy dokładnie przeczytać instrukcję obsługi.

Do czyszczenia nie należy używać materiałów ściernych, agresywnych środków chemicznych ani środków czyszczących w sprayu. Mogą one uszkodzić powierzchnię urządzenia.

Nie należy wkładać żadnej części młynka do zmywarki.

### Przed użyciem

Usunąć i poddać recyklingowi lub wyrzucić wszystkie naklejki, etykiety, opaski kablowe i opakowania, w tym naklejki samoprzylepne i przywieszki z opaskami.

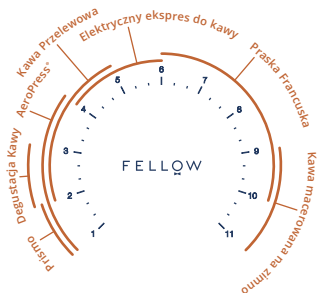
Przed czyszczeniem zalecamy uruchomienie młynka na 10 sekund bez ziaren kawy, aby pomóc oczyścić z pozostałości ziaren i zsypu kawy.

Przed czyszczeniem należy zawsze odłączyć kabel zasilający od gniazdka.

Przetrzeć korpus młynka miękką, wilgotną ściereczką. Wytrzeć zatrzask magnetyczny i pokrywę, a następnie dokładnie osuszyć.

Umieścić młynek na równej powierzchni i podłączyć do właściwego napięcia.

Schemat B:  
Instrukcja mielenia



### Jak używać

1. Wybrać grubość mielenia kawy, przekręcając pokrętkę w lewo lub w prawo. (1 = drobno, 11 = grubo). Patrz instrukcja mielenia (schemat B), aby uzyskać pomoc w dokonaniu wyboru.

*Proszę nie używać ustawienia 1 dla pierwszych 4,5 kg kawy, ponieważ żarna „Świergozczą” i uderzają w siebie. Twój młynek zostanie dostarczony jako skalibrowany na „punkt zero” (ustawienie, w którym żarna dotykają się) przy ustawieniu 1. Ponieważ żarna są sezonowane, ustawienie nacisku na żarna będzie się lekko zmieniać, co jest normalne i w związku z tym należy spodziewać się, że ustawienia będą nieco bardziej szorstkie. (więcej informacji na temat punktu dotknięcia/zero żaren znajdują się na stronie 98).*

2. Zdejmij pokrywę z pojemnika na porcję kawy.
3. Wsyp żadaną ilość palonych ziaren kawy do pojemnika, maksymalnie 80g. Załóż pokrywę. Upewnij się, że pojemnik zrzutowy znajduje się bezpośrednio pod zsyphem kawy.

*Nie należy mielić więcej niż 80 g bez opróżniania pojemnika zrzutowego. Przepiętnie może spowodować zablokowanie młynka.*

4. Nacisnąć przycisk zasilania. Młynek rozpocznie mielenie i zatrzyma się automatycznie po zakończeniu mielenia ziaren kawy. LUB nacisnąć i przytrzymać przycisk zasilania przez ponad 1,5 sekundy. Młynek będzie kontynuował mielenie do momentu zwolnienia przycisku.

### Czyszczenie

Jeśli młynek jest używany codziennie, żarna powinny być czyszczone co najmniej co trzy miesiące za pomocą tabletek (patrz poniżej Automatyczne czyszczenie) lub za pomocą sztywnej szczotki.

Aby oczyścić żarna, należy je usunąć zgodnie z instrukcją zawartą w rozdziale „**Usuwanie i wymiana żarna**”.

Nie należy zanurzać młynka w wodzie. Nie myć żarna wodą. Nie wkładać palców do zsuwni młynka, gdy produkt jest podłączony do prądu.

Używając dostarczonej szczotki, delikatnie usunąć pył z kawy z żarna i wymienić żarna zgodnie z instrukcją w sekcji „**Usuwanie i wymiana żaren**”.

Aby umyć pojemnik zsyphowy należy przetrzeć go delikatnie miękką szmatką i ciepłą wodą z mydłem.

Po wyczyszczeniu wysuszyć suchą ściereczką.

Wytrzeć młynek na zewnątrz i załadować pojemnik na kawę przy użyciu miękkiej, wilgotnej szmatki.

### Czyszczenie automatyczne

Szybkim sposobem na oczyszczenie młynka jest użycia tabletek czyszczących do młynka, takich jak Urnex GrindzTM. Zostały one zaprojektowane tak, aby zapobiegać zatykaniu, uwalniając drobinki kawy przyklejone do żaren i absorbując/usuwając zapachy oraz pozostałości oleiste.

Aby użyć tabletek czyszczących, należy upewnić się, że wszystkie ziarna zostały przepuszczone przez młynek, uruchamiając go na 10-20 sekund. Przeczytaj instrukcję obsługi tabletek czyszczących, aby umieścić odpowiednią ilość w młynku. Ustaw młynek na grubość 11 i naciśnij przycisk zasilania, aby uruchomić młynek. Przemiel wszystkie tabletki do pojemnika zsywowego. Po zakończeniu zaleca się zmielenie około 30 g kawy w celu usunięcia pozostałości tabletek. Wyrzucić zmielone tabletki/kawę z pojemnika, a następnie go wyczyścić.

## KONSERWACJA

### Oczyszczanie zablokowanego młynka

Od czasu do czasu młynek Ode może się zaciąć i przestać mielić. Kiedy to nastąpi, młynek przestanie mielić, zanim skończy się cała kawa w zbiorniku i wyda sygnał dźwiękowy „SOS”.

Niewielkie zatory można usunąć w następujący sposób:

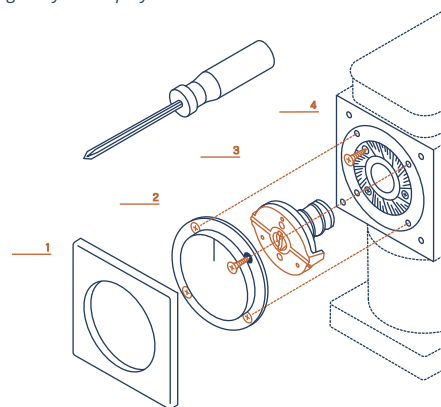
1. Sprawdź czy pojemnik zsypowy jest pusty. Przekręć pokrętko młynka na pozycję 11.
2. Kilka razy uderz młynek z boku i potrząśnij.
3. Naciśnij przycisk zasilania i przytrzymaj go przez kilka sekund. Jeśli mielenie zostanie wznowione, zator został usunięty. Jeśli nie, należy postępować zgodnie z instrukcjami dotyczącymi usuwania większych zatorów.

Większe zatory można usuwać w następujący sposób:

1. Odłącz młynek od prądu.
2. Usuń żarna zgodnie z instrukcją zawartą w rozdziale „Usuwanie i wymiana żaren” niniejszej instrukcji.
3. Usuń kawę z komory mielenia i wyrzuć ją.
4. Sprawdź, czy żarna nie zawierają ziaren kawy lub ciał obcych (kamienie, patyczki, ziarna kawy itp.), które mogą się zaklinować. Usunąć zaklinowane ziarna kawy i oczyścić żarna zgodnie z instrukcją zawartą w rozdziale „Czyszczenie” niniejszej instrukcji.
5. Ponownie zamontować żarna. Uruchomić młynek bez kawy na 5 sekund, aby sprawdzić, czy działa zgodnie z oczekiwaniami. Młynek powinien kręcić się cicho i z równą prędkością. Jeśli młynek wydaje niespodziewany hałas, należy powtórzyć ten proces i dokładnie sprawdzić, czy wszystkie drobinki kawy zostały usunięte. Jeśli problem nie ustępuje, należy skontaktować się z działem obsługi klienta firmy Fellow.

Aby uzyskać dodatkową pomoc, odwiedź witrynę [fellowproducts.com/odemanual](http://fellowproducts.com/odemanual)

Schemat C: Szczegółowy widok przy rozkładaniu



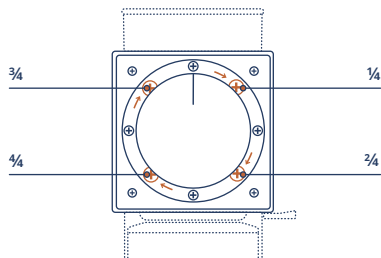


## Wymywanie i wymiana żaren

**UWAGA:** żarna są ostre, należy zachować szczególną ostrożność.

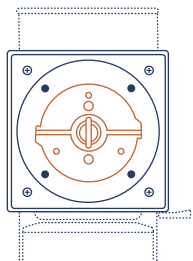
1. Odłącz młynek i opróżnij go z kawy.
2. Rozpocznij od demontażu płyty przedniej młynka. Płyta przednia działa na zatrzask. Pociągnij delikatnie przednią płytę, w celu jej zdjęcia.
3. Użyj śrubokręta krzyżakowego, aby odkręcić cztery większe śruby, do których skierowane są strzałki. Więcej informacji na ten temat można znaleźć na schemacie D.

Schemat D



4. Pociągnij za uchwyt żarna mielącego, aby usunąć go z urządzenia.
5. Ostrożnie wyjmij żarno obrotowe/walek ślimakowy (żarno znajdujące się najbliżej), klucz do ślimaka oraz sprężynę z komory mielenia przez wciśnięcie. Należy uważać, aby nie zgubić żadnych części podczas wyjmowania. Patrz schematy E i F, aby zapoznać się z budową.

Schemat E

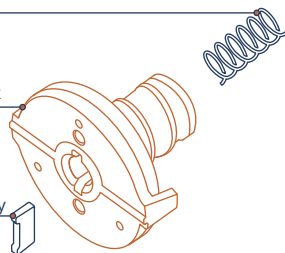


Schemat F.

Sprężyna

Rotacyjny zadziór i ślimak

Klucz ślimakowy



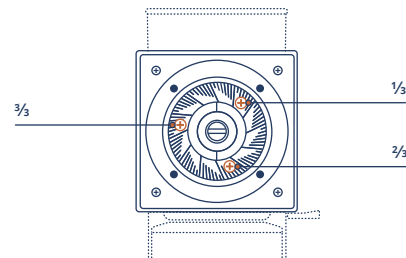
Jeśli wykonujesz wyłącznie czyszczenie, nie demontuj dalej żaren. Używając dostarczonej szczotki, delikatnie usuń drobinki kawy z żaren i wymień je na nowe.

Jeżeli wymieniasz żarna, przejdź do następujących kroków.

6. Żarno stacjonarne jest przymocowane do komory mielenia. Aby usunąć żarno stacjonarne, należy rozpocząć od wykręcenia trzech śrub, które utrzymują go na miejscu, za pomocą śrubokręta krzyżakowego. Jeśli w śrubach tych znajduje się zmielona kawa, która przeszkadza w ich odkręceniu, przed próbą odkręcenia śrub należy wyczyścić kawę mieloną za pomocą małej szczotki.

Ostrożnie wyjmij nieruchome żarno. Schemat G.

Schemat G

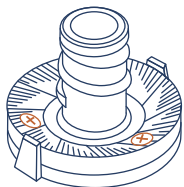


7. Żarno obrotowe przymocowane jest do wałka ślimakowego. Aby usunąć żarno obrotowe, należy zacząć od odkręcenia trzech śrub, które utrzymują go na miejscu, za pomocą śrubokręta krzyżakowego. Jeśli w śrubach tych znajduje się zmielona kawa, która przeszkadza w ich odkręceniu, przed próbą odkręcenia śrub należy wyczyścić je za pomocą małej szczotki. Schemat H i J, strona 98
8. Ostrożnie wyjmij żarno obrotowe z wałkiem ślimakowym. Aby wymienić żarna, należy powtórzyć te czynności w odwrotnej kolejności. Upewnij się, że żarno obrotowe jest ponownie przymocowane do ślimaka, a żarno nieruchomo przymocowane do komory mielenia.

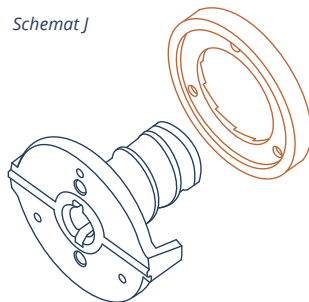
**Aby wymienić żarna, powtórz te kroki w odwrotnej kolejności.**

Należy upewnić się, że żarno obrotowe jest ponownie zamocowane do ślimaka, a żarno stacjonarne do komory mielenia.

Schemat H



Schemat J



### Kalibracja młynka Ode

Młynek do kawy Ode jest przeznaczony do parzenia kawy, a grubość mielenia jest niewystarczająca dla większości ekspresów. Jednakże, jeśli chcesz zmielić drobno, aby parzyć kawę przy użyciu AeroPress, Prismo, Hario V60, lub innych metod parzenia, warto upewnić się, że młynek jest odpowiednio skalibrowany, aby osiągnąć jak najbardziej pożądaną grubość kawy.

Twój młynek zostaje dostarczony po kalibracji żaren, które stykają się przy ustawieniu grubości na pozycji 1. Ponieważ żarna są sezonowane, ustawienie nacisku na żarna będzie się lekko zmieniać, co jest normalne i w związku z tym należy spodziewać się, że ustawienia będą nieco bardziej szorstkie. Nie należy używać pozycji 1 dla pierwszych 4,5 kg kawy, ponieważ żarna będą „świergotać” i uderzać w siebie nawzajem.

Świergotanie żaren przy ustawieniu w pozycji 1 oznacza, że młynek jest skalibrowany. Kalibrowane młynki odpowiadają parametrom mielenia we wszystkich ustawieniach. Pomaga to utrzymać stałą wydajność mielenia przez cały okres użytkowania młynka. Jeśli nie słyszysz odgłosu wydawanego przez żarna w pozycji 1, w momencie uruchomienia młynka po raz pierwszy, oznacza to, że grubość mielenia będzie grubsza, niż w przypadku skalibrowanego młynka.

Aby obejrzeć filmy o tym jak skalibrować młynek, przejdź do [Fellowproducts.com/odemanual](https://fellowproducts.com/odemanual)

### GWARANCJA

W celu uzyskania informacji o serwisie, naprawie lub w przypadku jakichkolwiek pytań dotyczących młynka Ode, prosimy odwiedzić stronę [help.fellowproducts.com](https://help.fellowproducts.com) i wysłać zgłoszenie. Nie należy wysyłać produktu z powrotem do producenta ani przynosić go do centrum serwisowego bez uprzedniej rozmowy z przedstawicielem działu obsługi.

#### Jednoroczna gwarancja

Firma Fellow udziela na ten produkt gwarancji na wszelkie wady wynikające z wadliwego materiału lub wykonania przez okres jednego roku od daty pierwotnego zakupu przez konsumenta.

#### Niniejsza gwarancja jest ważna tylko dla:

Pierwotnego nabywcy.

Gdy młynek jest kupowany za pośrednictwem autoryzowanych sprzedawców.

Z oryginalnym pokwitowaniem sprzedaży w celu wystawienia dowodu zakupu, w celu złożenia reklamacji gwarancyjnej.

#### Niniejsza gwarancja nie obejmuje uszkodzeń produktu powstałych w wyniku uszkodzenia:

Wypadki, niewłaściwe użytkowanie lub naprawy dokonywane przez nieupoważniony personel.

Pracy z niewłaściwym rodzajem prądu lub napięcia.

Niestosowania się do instrukcji czyszczenia młynka.

Niestosowania się do jakichkolwiek środków ostrożności wymienionych w ostrzeżeniach i instrukcjach zawartych w niniejszym dokumencie.

Mielenie czegokolwiek innego niż całe palone ziarna kawy.

Jeśli produkt stanie się wadliwy w okresie gwarancji lub masz dodatkowe pytania dotyczące gwarancji lub serwisu, odwiedź [help.fellowproducts.com](https://help.fellowproducts.com) i skontaktuj się z nami.

# Ode Brew Kvarn

Fellow Industries Inc.  
Fellowproducts.com  
Email: [hello@fellowproducts.com](mailto:hello@fellowproducts.com)  
San Francisco, CA 94110

Produktnamn: Ode Brew Kvarn | Patents pågående  
1 års begränsad garanti | Designad i San Francisco, tillverkad i Kina

Modell	Specifikationer
BGAAEU	120V   60Hz   150W   Vikt: 4.5kg Dimensioner (LxWxH): 239mm x 105mm x 241,5mm Kvarns kapacitet: 80g   Sladdlängd: 1m



## Pravidłowa utylizacja tego produktu



Oznaczenie to wskazuje, że produkt ten nie powinien być usuwany wraz z innymi odpadami z gospodarstw domowych na terenie całej UE. Aby zapobiec ewentualnym szkodom dla środowiska lub zdrowia ludzkiego wynikającym z niekontrolowanego usuwania odpadów, należy je poddać recyklingowi w sposób odpowiedzialny, aby promować zrównoważone ponowne wykorzystanie zasobów materialnych. Aby zwrócić zużyte urządzenie, należy skorzystać z systemów zwrotu i zbiórki odpadów lub skontaktować się ze sprzedawcą detalicznym, w którym produkt został zakupiony. Mogą oni wziąć ten produkt do bezpiecznego dla środowiska recyklingu.

**ENDAST HUSHÅLL  
SPARA DESSA INSTRUKTIONER**

Mer info på [Fellowproducts.com/odemanual](https://fellowproducts.com/odemanual)

## LÄS ALLA INSTRUKTIONER. KASTA INTE BORT DENNA SÄKERHETSGUIDE.

### VARNING!

**Stötfara:** Denna apparat har en jordad, tredelad plugg. För att säkerställa skydd mot risk för elektriska stötar eller brand, anslut endast till korrekt jordade uttag. Kontakten passar bara in i ett uttag. Motverka inte kontaktens säkerhetssyfte genom att ändra kontakten på något sätt eller använda en adapter. Anslut inte apparaten till ett uttag med en annan spänning än vad som anges på apparatens undersida.

Använd inte en adapter med den här apparaten.

En kort nätsladd finns för att minska risken för att fastna i eller snubbla över en längre sladd. Om en längre sladd behövs kan en godkänd förlängningssladd användas. Förlängningssladdens elektriska klassning måste vara lika med eller högre än apparatens märkeffekt. Var noga med att ordna förlängningssladden så att den inte hänger över bänkskivan eller bordsskivan, där barn kan dra i eller snubbla över den. För att undvika en elektrisk kretsöverbelastning, använd inte någon hög effektanordning på samma krets med denna apparat.

### VIKTIGA SKYDDSÅTGÄRDER

Läs dessa säkerhetsvarningar noggrant före användning och använd kvarnen ordentligt. Dessa säkerhetsvarningar är angivna för säker och korrekt användning av denna produkt för att förhindra fara för användaren eller andra och skador på egendom. Vid användning av elektriska apparater bör grundläggande säkerhetsåtgärder alltid följas, inklusive följande:

Efter uppackning av kvarnen ska du kassera plastpåsar och andra förpackningar noggrant så att barn och andra inte kan nå dem.

Denna apparat har en jordad, tredelad kontakt och måste jordas med ett tredelat utlopp när den används. För att säkerställa skydd mot risk för elektriska stötar eller brand, anslut endast till korrekt jordade uttag.

Sänk inte ned sladden, kontakten eller någon annan del av kvarnen i vatten eller annan vätska.

Användning av tillbehör rekommenderas inte av Fellow eftersom det kan leda till brand, elektriska stötar eller personskador.

Använd endast med ström och rätt spänning. Se till att din huvudsakliga matningsspänning är densamma som den som är märkt på kvarnens undersida. För att undvika

en elektrisk överbelastning, använd inte en annan högspänningsapparaten på samma krets.

Lämna aldrig kvarnen obevakad när den används. Noggrann övervakning är nödvändig när någon apparat används av eller i närheten av barn. Använd inte inom ett barns räckhåll.

Denna apparat är inte avsedd att användas av personer (inklusive barn) med nedsatt fysisk, sensorisk eller mental förmåga, eller brist på erfarenhet och kunskap, såvida de inte har fått övervakning eller instruktioner om användning av apparaten av en person som ansvarar för deras säkerhet.

Kvarnen måste hanteras på en torr, plan yta på gott avstånd från bänkens kant för att förhindra att den välter av misstag. Vibrationer under drift kan göra att kvarnen rör sig.

Placera inte där kvarnen kan röra någon annan värmekälla. Till exempel på eller i närheten av en varm gasbrännare eller elbrännare, i en uppvärmd ugn eller i en mikrovågsugn.

Undvik kontakt med rörliga delar av kvarnen.

Manipulera inte fingerskyddet som täcker den jordade rännan.

Flytta aldrig kvarnen när enheten används.

Kontrollera att plastbehållaren inte innehåller några främmande föremål som inte är kaffeböner innan du använder kvarnen.

Lägg inga andra ämnen än kaffeböner och kvarnrengöringsmedel i kvarnen.

Använd endast hela kaffeböner i kvarnen. Lägg inte kaffe som redan har malts i kvarnen. Återmalning av kaffe som redan har malts kan leda till att kvarnen slits ut snabbare och upphäver garantin.

Koppla ur uttaget när den inte används och före rengöring. Låt delarna sluta röra sig innan du rengör kvarnen. Använd inte kvarnen utan att locket sitter ordentligt på påfyllningsfacket.

Rengör endast utsidan av kvarnen med en fuktig trasa.

Var noga med att inte tippa kvarnen eftersom det kan skada stoppbocken och inre delar.

För att koppla ur, ta tag i kontakten och ta bort från uttaget. Dra aldrig i sladden.

Låt inte sladden hänga över kanten på ett bord eller en arbetsbänk.

Använd inte kvarnen med en skadad sladd eller kontakt, om kvarnen inte fungerar eller om produkten har skadats på något sätt.

Om strömsladden är skadad måste den bytas ut av tillverkaren, deras serviceavdelning, ombud eller liknande för att undvika eventuella risker.

Ta endast isär kvarnen enligt anvisningarna i avsnittet "Rengöring och förvaring" i denna handbok. Om du har problem med driftstörningar eller andra problem, se help.fellowproducts.com och besök vår FAQ-sida.

Använd inte för något annat ändamål än malning av hela kaffeböner.

Denna apparat är endast avsedd för hushållsbruk. Användning för något annat än avsedd användning kommer att ogiltigförklara ettårsgarantin.

Använd inte utomhus.

Placera inga redskap i kvarnen eller malningsrännan.

Denna produkt innehåller neodymiummagneter. Barn bör ALDRIG tillåtas att leka med NEODYMIUM magneter. Även relativt små magneter kan orsaka allvarliga skador om de sväljs. Håll alltid alla neodymiummagneter utom räckhåll för barn.

Håll alltid ett säkert avstånd (minst 10cm) mellan magneter och alla föremål som kan skadas av magnetism och kom ihåg, neodymiummagneter är tio gånger starkare än "vanliga" magneter! Objekt som mekaniska klockor, pacemakers, CRT-skärmar och TV-apparater, kreditkort, disketter och andra magnetiskt lagrade medier såsom videoband påverkas alla av kraftfulla magneter.

Använd inte det magnetiska uppsamlingskärlet ovanpå en elektronisk våg. Det magnetiska uppsamlingskärlet kan störa precisionen för eller till och med skada en elektronisk våg. Det rekommenderas inte att det magnetiska uppsamlingskärlet ställs på en elektronisk våg.

För att minska risken för brand eller elektriska stötar ska du inte ta bort underlocket från basen eller ta isär basen på kvarnen på något sätt. Det finns inga delar som kan

servas från användaren inuti. Reparation bör endast utföras av auktoriserad servicepersonal. Om kvarnens bas öppnas leder det till att ettårsgarantin upphör att gälla.

Använd inte explosiva och/eller brandfarliga ångor.

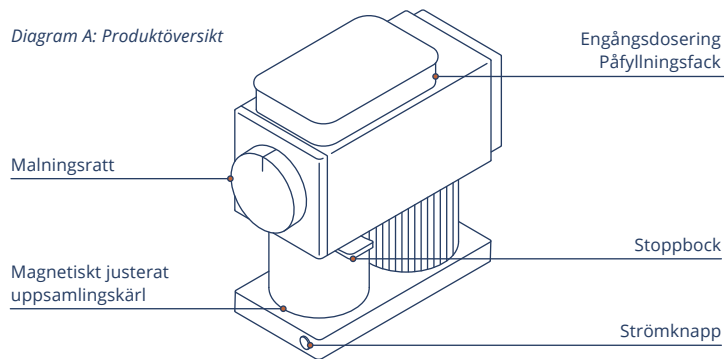
För korrekt användning, använd apparaten i mindre än 90 sekunder per gång med minst 90 sekunders vilotid bibehållen mellan två på varandra följande cykler.

Kvarnen kan inte arbeta i 6 minuter kontinuerligt inom 10 minuter, och den måste vila i 30 minuter om arbetstiden överstiger 6 minuter.

## ENDAST HUSHÅLL SPARA DESSA INSTRUKTIONER

### RENGÖRING OCH ANVÄNDNING

Diagram A: Produktöversikt



## FÖRSIKTIGHET!

Läs alla bruksanvisningar helt innan du sätter på och använder kvarnen.

Använd inte slipande rengöringssvampar, starka kemikalier eller sprayrengöringsmedel för att rengöra. Dessa kan skada apparatens yta.

Lägg inte någon del av din kvarn i diskmaskinen.

## Före användning

Ta bort och återvinn eller kassera alla klistermärken, beskrivande etiketter, buntband och förpackningsmaterial, inklusive statiska klistermärken och hängmärken med band.

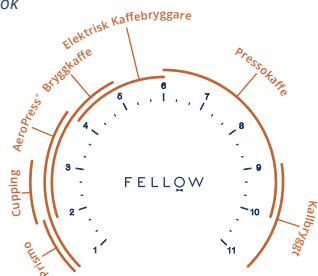
Före rengöring rekommenderar vi att du kör kvarnen i 10 sekunder utan kaffebönor för att hjälpa till att rensa bönor/kaffesump från valsen och malningsrännan.

Koppla alltid ur nätsladden från eluttaget innan du rengör.

Torka av kvarnens utsida med en mjuk, fuktig trasa. Torka av det magnetiska uppsamlingskärlet och locket och torka noggrant.

Placera kvarnen på en plan yta och anslut till en korrekt spänning.

Diagram B: Kvarn handbok



## Så här använder du kvarnen

1. Välj malningsstorlek genom att vrida malningsratten till vänster eller höger (1 = finkornig, 11 = grovkornig). Se vår kvarn handbok (diagram B) för att göra ditt val.

*Använd inte inställning 1 för dina första 5 liter kaffe eftersom valsarna kommer att "gnissla" och slå emot varandra. Kvarnen levereras kalibrerad med sitt "utgångsläge" (inställningen där gå emot varandra) vid inställning 1. Eftersom valsens inställning varierar något kommer du att märka att inställningen ändras lite, vilket är helt normalt. Därför ska du vara medveten om att inställningen är ungefärlig. (För mer information om valsen/utgångsläget se sidan 112).*

2. Avlägsna locket från facket för engångsdoser genom att lyfta av det.
3. Häll önskad mängd rostade hela kaffebönor i påfyllningsfacket upp till maximalt 80g. Sätt på locket igen. Se till att låsanordningen sitter helt under rännan och att den är tom.

*Mal inte mer än 80 g kaffe utan att tömma uppsamlingskärlet. Om du låter kärlet överfyllas kan det bli stopp i kvarnen.*

4. Tryck på strömbrytaren. Kvarnen börjar mala och stoppar automatiskt när bönorna är färdigmalda. ELLER tryck och håll in strömbrytaren i mer än 1,5 sekunder. Kvarnen fortsätter att mala tills knappen släpps upp.

## Allmän rengöring

Om kvarnen används dagligen ska valsen rengöras minst var tredje månad med tabletter (se nedan för automatisk rengöring) eller med en styv borste.

Rengör valsen genom att avlägsna den enligt instruktionerna i avsnittet "Avlägsna och sätta tillbaka valsen".

Sänk inte ner kvarnen i vatten. Tvätta INTE valsen med vatten.

Placera aldrig fingrarna i malningsrännan medan produkten är ansluten.

Använd den medföljande borsten, borsta försiktigt bort kaffedamm från tänderna och sätt tillbaka valsen enligt instruktionerna i avsnittet "Avlägsna och sätta tillbaka valsen".

Rengör uppsamlingskärlet genom att torka varsamt med en mjuk trasa och varmt tvålsvatten. Torka med en torr trasa efter rengöring.

Torka kvarnens utsida och påfyllningsfacket med en mjuk, fuktig trasa.

## Automatisk rengöring

Ett snabbt sätt att rengöra din kvarn är att använda kvarnrengöringstabletter som Urnex Grindz™ kvarnrengöringstabletter. Dessa är utformade för att förhindra igensättning genom att frigöra kaffepartiklar som fastnat i valsen och absorbera /ta bort lukter och oljiga kafferester.

För att använda rengöringstabletter, se till att alla bönor körs genom din kvarn genom att köra den i 10-20 sekunder. Följ rengöringstablettinstruktionerna för att placera lämplig mängd i kvarnen. Justera kvarninställningen till 11 och tryck på strömbrytaren för att köra Kvarnen. Låt alla tabletter malas och hamna i uppsamlingskärlet. När du är klar rekommenderar vi malning ca 30g kaffe för att ta bort eventuella tablettrester. Kasta de malda tabletterna/ kaffet från uppsamlingskärlet och rengör.

## UNDERHÅLL

### Rensa en fastkörd kvarn

Ibland kan Ode kaffekvarn fastna och sluta mala.

När detta inträffar kommer kvarnen att sluta mala innan den har avslutat allt kaffe i behållaren och ger ifrån sig en nödsignal.

Mindre igensättningar kan rensas enligt följande:

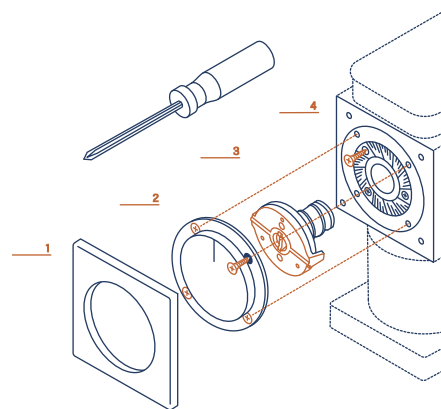
1. Kontrollera att uppsamlingskärlet är tomt. Vrid malningsratten till inställning 11.
2. Klappa ordentligt flera gånger på kvarnens sida och skaka den.
3. Tryck på strömbrytaren och fortsätt att klappa ordentligt på kaffekvarnens sida i flera sekunder. Om malningen återupptas rensas igensättningen. Om inte, gå vidare till instruktionerna för att rensa en större igensättning.

Större igensättningar kan rensas enligt följande:

1. Koppla ur kvarnen.
2. Ta bort valsen enligt anvisningarna i avsnittet "Avlägsna och sätta tillbaka valsen" i denna handbok.
3. Rensa kaffe från malningsutrymmet och släng.
4. Inspektera valsen för kaffebönor eller främmande material (stenar, pinnar, orostad kaffeböna, osv.) som kan ha fastnat. Ta bort fastnat kaffeböna och rengör valsen enligt instruktionerna under punkten "Rengöring" i denna handbok.
5. Sätt tillbaka valsen. Kör kvarnen utan kaffe i 5 sekunder för att kontrollera att den fungerar som förväntat. Kvarnen ska snurra tyst och med en jämn hastighet. Om kvarnen gör ett oväntat ljud, upprepa denna process och inspektera noggrant för att säkerställa att alla kaffepartiklar har rensats ut. Om problemet kvarstår, vänligen kontakta Fellows kundservice.

För mer hjälp, besök [fellowproducts.com/odemmanual](https://fellowproducts.com/odemmanual).

Diagram C: Sprängskiss

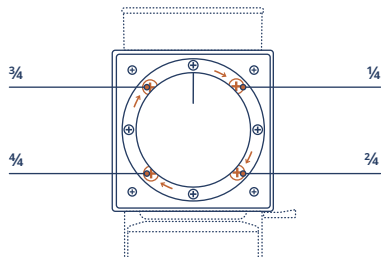


## Avlägsna och sätta tillbaka valsen

**FÖRSIKTIGHET:** Kvarnens vals är vass. Hantera den försiktigt!

1. Koppla ur kvarnen och töm ut kaffet.
2. Börja med att ta bort kvarnens frontplatta. Frontplattan snäpper helt enkelt på och av. Dra försiktigt på frontplattan för att den ska snäppa av.
3. Med hjälp av en stjärnskruvmejsel, skruva loss de fyra större skruvarna som har pilar som pekar på dem. Se Diagram D för referens.

Diagram D



4. Dra i malningsratten för att avlägsna den.
5. Avlägsna försiktigt den roterande valsen/skraven (som sitter närmast dig), skruvnyckeln och fjädern från malningsutrymmet genom att trycka in dem. Var försiktig så att du inte tappar några delar när du tar bort dem. Se Diagram E och F för referens

Diagram E

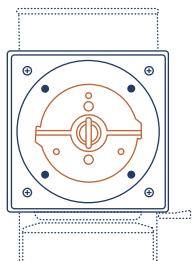
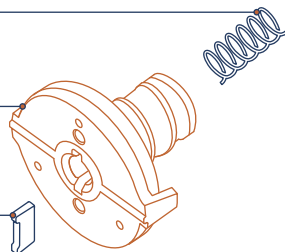


Diagram F

Fjäder

Roterande vals  
och skruv

Skruvnyckel



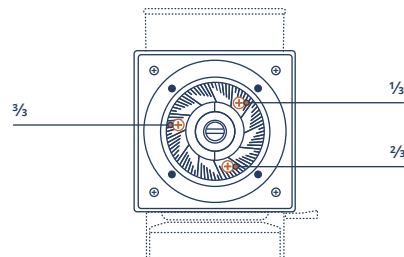
Om du bara ska rengöra, montera inte isär valsen ytterligare. Använd den medföljande borsten, borsta försiktigt bort kaffedamm från valsen och sätt tillbaka valsen.

Om du ersätter valsen, fortsätt till nästa steg.

6. Den stationära valsen är fäst i malningsutrymmet. Avlägsna den stationära valsen genom att använda en stjärnskruvmejsel för att ta bort de tre skruvarna som håller den på plats. Om det sitter malet kaffe i skruvarna som gör det omöjligt att lossa dem, ska du använda en liten borste för att rensa bort det malda kaffet innan du försöker lossa skruvarna.

Ta försiktigt bort den stationära valsen. Diagram G

Diagram G



7. Den roterande valsen är fäst i skruven. För att avlägsna den roterande valsen ska du använda en stjärnskruvmejsel för att lossa de tre skruvar som håller den på plats. Om det sitter malet kaffe i skruvarna som gör det omöjligt att lossa dem, ska du använda en liten borste för att rensa bort det malda kaffet innan du försöker lossa skruvarna. Diagram H och I, sidan 112
8. Lyft varsamt bort den roterande valsen från skruven.

**Upprepa ovanstående steg i omvänd ordning för att sätta tillbaka valsen.**

Se till att den roterande valsen sätts fast på skruven och att den stationära valsen fästs i malningsutrymmet.



Diagram H

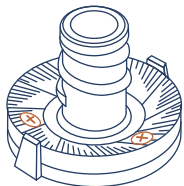
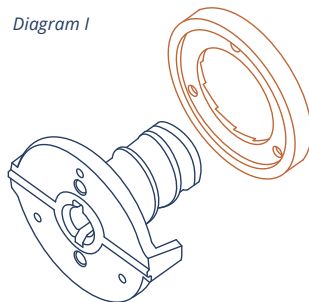


Diagram I



### Kalibrera din Ode kaffekvarn

Ode kaffekvarn är utformad för brygning av kaffe och kan inte mala tillräckligt finmalet kaffe för de flesta espressomaskiner. Men om du vill mala fint för AeroPress® Kaffebyggare, Prismo, Hario V60, eller andra bryggingsmetoder, kan det vara bra att se till att där valsarna möts, utgångsläget, är rätt kalibrerat så att kaffet blir malet för de här bryggingsmetoderna.

När kvarnen levereras möter valsarna varandra vid inställning 1. Eftersom valsens inställning varierar något kommer du att märka att inställningen ändras lite, vilket är helt normalt. Därför ska du vara medveten om att inställningen är ungefärlig. Använd inte inställning 1 för dina första 5 liter kaffe, eftersom valsarna kommer att gnissla och gå emot varandra.

Om valsarna gnisslar i början vid inställning 1 betyder det att kvarnen är kalibrerad. När kvarnen är kalibrerad får du välmalet kaffe oavsett inställning.

Det ser till att malningsresultatet blir jämnt under hela kvarnens livslängd. Om kvarnen inte ger ifrån sig ett gnisslande ljud vid inställning 1 när du först börjar använda den blir grovleken på det malda kaffet grövre än om kvarnen kalibreras.

Om du vill titta på videoklipp om hur du kalibrerar kan du besöka:  
[Fellowproducts.com/odemannual](https://www.fellowproducts.com/odemannual)

Hitta mer information på:  
[Fellowproducts.com/odemannual](https://www.fellowproducts.com/odemannual)

### GARANTI

För service, reparation eller eventuella frågor om din Ode kaffekvarn, besök [help.fellowproducts.com](https://www.fellowproducts.com) och skicka in en förfrågan. Skicka INTE tillbaka produkten till tillverkaren eller ta med den till ett servicecenter utan att först prata med en Fellow kundtjänstrepresentant.

#### Ett års begränsad garanti

Fellow garanterar denna produkt mot eventuella defekter som beror på bristfälligt material eller utförande under en ettårsperiod efter det ursprungliga inköpsdatumet.

#### Denna garanti gäller endast för:

Den ursprungliga konsumenten.

När kvarnen köps via auktoriserade återförsäljare.

Med det ursprungliga kvittot för inköpsbevis som att göra ditt garantianspråk.

#### Denna garanti omfattar inte skador på produkten till följd av:

Olycka, felaktig användning eller reparationer som utförs av obehörig personal.

Drift med fel typ av ström eller spänning.

Underlåtenhet att följa rengöringsanvisningar för kvarnen.

Underlåtenhet att följa de skyddsåtgärder som anges i varningar och instruktioner i detta dokument.

Malning av något annat än hela rostade kaffeböner.

Om produkten skulle bli defekt inom garantiperioden, eller om du har frågor om garanti eller service, besök oss på [help.fellowproducts.com](https://www.fellowproducts.com) och skicka in en förfrågan.

# Ode Kahve Öğütücü

Fellow Industries Inc.  
Fellowproducts.com  
Email: hello@fellowproducts.com  
San Francisco, CA 94110

Ürün adı: Ode Kahve Öğütücü | Patent bekliyor  
1 yıllık sınırlı garanti | San Francisco'da tasarlandı, Çin'de üretildi

Model	Özellikler
BGAAEU	220 V   50 Hz   150 W   Ağırlık: 4,5 kg Boyutlar (Boy x En x Yükseklik): 239 mm x 241,5 mm x 105 mm Öğütme kapasitesi: 80 g   Kablo uzunluğu: 1 m



## Korrekt avfallshantering av produkten



Den här symbolen anger att produkten inte får avyttras tillsammans med annat hushållsavfall i alla EU-länder. Produkten ska återvinnas på ett ansvarsfullt sätt för att främja hållbar återanvändning av materiella resurser samt för att förhindra eventuella skador på miljön och människors hälsa till följd av okontrollerat borskaffande av avfall. Använd retur- och insamlingssystemen för att återlämna den förbrukade produkten eller kontakta återförsäljaren som du köpte produkten av. De kan se till att den återvinnas på ett sätt som är säkert för miljön.

**SADECE EVDE KULLANIMA UYGUNDUR.  
KULLANMA TALİMATLARINI SAKLAYIN.**

Daha fazla bilgiye [Fellowproducts.com/odemanual](https://fellowproducts.com/odemanual) adresinden ulaşabilirsiniz.

## TÜM KULLANMA TALİMATLARINI OKUYUN. BU GÜVENLİK KILAVUZUNU ATMAYIN.

### UYARI!

**Elektrik Çarpması Tehlikesi:** Bu elektrikli alet, topraklanmış, üç uçlu bir fişe sahiptir. Elektrik çarpması veya yangın riskine karşı korunmayı garanti altına almak için yalnızca uygun bir şekilde topraklanmış prizlere takın. Bu fiş bir prize yalnızca tek yönlü olarak girer. Fiş üzerinde herhangi bir şekilde değişiklik yaparak veya bir adaptör kullanarak fişin güvenlik amacını engellemeyin. Bu cihazı, cihazın altında belirtilmiş olandan farklı voltajda bir prize takmayın.

Bu elektrikli cihaz ile birlikte adaptör kullanmayın.

Kısa güç kaynağı kablosu, kablo dolanması ya da uzun bir kabloya takılıp düşme ile sonuçlanabilecek riskleri azaltmak için temin edilmiştir. Daha uzun bir kablo gerektiği takdirde, onaylanmış bir uzatma kablosu kullanılabilir. Uzatma kablosunun elektrik değerleri, cihazın değerlerine eşit ya da bu değerlerden büyük olmalıdır. Uzatma kablosunu çocukların çekebileceği ya da takılıp düşülebilecek yerler olan tezgâh veya masa üstü çevresine gelmeyecek şekilde yerleştirmeye özen gösterin. Elektriksel bir aşırı yüklemeyi önlemek için aynı elektrik devresi üzerinde yüksek vat gücüne sahip başka bir elektrikli alet çalıştırmayın.

## ÖNEMLİ GÜVENLİK TEDBİRLERİ

Lütfen kullanmadan önce güvenlik uyarılarını dikkatlice okuyun ve öğütücüyü bu uyarılara uygun bir şekilde kullanın. Bu güvenlik uyarıları, ürünün güvenli ve doğru kullanımı için ve kullanıcının ya da diğer kişilerin tehlikelerle karşı karşıya kalmalarını ve mallara zarar gelmesini önlemek için belirtilmiştir. Elektrikli aletleri kullanırken, aşağıda yer alanlar da dâhil olmak üzere ana güvenlik önlemlerine her zaman uyulması gerekir:

Öğütücüyü ambalajından çıkardıktan sonra, çocuklar ve başkalarının erişimini engellemek için plastik torbaları ve diğer paketleri dikkatli bir şekilde atın.

Bu cihaz, topraklanmış, üç uçlu bir fişe sahiptir ve kullanım esnasında üç uçlu bir priz ile topraklanmalıdır. Elektrik çarpması ya da yangın riskine karşı korunmayı garanti altına almak için yalnızca uygun bir şekilde topraklanmış prizlere takın.

Kabloyu, fişi ya da öğütücünün herhangi başka bir parçasını su veya başka bir sıvı içine batırmayın.

Fellow, yangın, elektrik çarpması veya fiziksel yaralanma ile sonuçlanabileceğinden, yardımcı eklentilerin kullanımını önermemektedir.

Yalnızca AC (alternatif akım) ile ve doğru voltajla kullanın. Ana besleme voltajının, öğütücünün alt kısmında işaretlenmiş olanla aynı olduğundan emin olun. Elektriksel bir aşırı yüklemeyi önlemek için aynı elektrik devresi üzerinde yüksek vat gücüne sahip başka bir cihaz çalıştırmayın.

Öğütücüyü kullanım sırasında asla gözetimsiz bırakmayın. Herhangi bir elektrikli cihaz çocuklar tarafından ya da onların yanında kullanılırken yakın gözetim ve denetim gereklidir. Çocukların ulaşabileceği yerlerde kullanmayın.

Güvenliklerinden sorumlu bir kişi tarafından aletin kullanımı ile ilgili gözetim altında tutulmamaları ya da kendilerine bu cihazın kullanımı ile ilgili talimatların verilmemesi halinde, bu cihaz, kısıtlı fiziksel, duyuşsal ya da zihinsel yeteneklere sahip kişilerin (çocuklar da dâhil) veya tecrübesiz ve bilgisiz kişilerin kullanımı için tasarlanmamıştır.

Öğütücü, kuru, düz bir zemin üzerinde ve kazara takılıp düşmeyi önlemek için tezgâh kenarlarının uzağında çalıştırılmalıdır. Çalışma sırasındaki titreşimler öğütücünün hareket etmesine neden olabilir.

Öğütücüyü başka bir ısı kaynağıyla temas edebileceği yerlere koymayın. Örneğin, sıcak gazlı ocağın ya da elektrikli ocağın üstü veya yan, ısıtılmış bir fırının ya da mikrodalga fırının içi.

Öğütücünün hareketli parçalarıyla temastan kaçının.

Elektriksel olarak topraklanmış hazneyi kaplayan parmak mahfazasını kurcalamayın.

Ünite çalışırken öğütücüyü hareket ettirmeyin.

Kullanmadan önce doldurma bölümünde kahve çekirdekleri dışında yabancı maddeler olup olmadığını kontrol edin.

Öğütücünün içine kahve çekirdekleri ve öğütücü temizleyicisi dışında herhangi bir şey koymayın.

Öğütücüde yalnızca bütün halde bulunan çekirdek kahveler kullanın. Halihazırda öğütülmüş kahveyi öğütücüye koymayın. Öğütülmüş kahveyi yeniden öğütmek, öğütücünüzün yıpranmasına neden olabilir ve bu durum garantinizi geçersiz kılacaktır.

Kullanılmadığı zamanlarda ve temizlemeden önce fişi prizden çekin. Öğütücüyü temizlemeye başlamadan önce, parçaların hareketinin durmasını bekleyin. Doldurma bölümünün üzerine kapağı uygun şekilde yerleştirmeden öğütücüyü kullanmayın.

Nemli bir bez ile öğütücünün yalnızca dış kısmını silin.

Öğütücüyü devirmemeye özen gösterin, bu, tokmağına ve dahili parçalarına zarar verebilir.

Fişini çekmek için fişi sıkıca kavrayın ve prizden çıkarın. Asla kablodan tutup çekmeyin.

Kablonun masa ya da tezgâh köşelerinden sarkmasına izin vermeyin.

Öğütücü arızalıysa ya da ürün herhangi bir şekilde zarar görmüş ise öğütücüyü hasar görmüş bir kablo veya fiş ile birlikte çalıştırmayın.

Güç kablosu zarar görürse, tehlikelerden kaçınmak için üretici, üreticinin servis temsilcisi veya benzer bir uzman tarafından değiştirilmelidir.

Öğütücünüzü yalnızca kullanma kılavuzunun **"Temizleme ve Saklama"** bölümünde tarif edildiği şekilde demonte edin. Sıkışma veya diğer hususlar ile ilgili bir sorun yaşıyorsanız, [help.fellowproducts.com](http://help.fellowproducts.com) adresini kontrol edin ve SSS (Sıkça Sorulan Sorular) sayfamızı ziyaret edin.

Öğütücüyü bütün halde bulunan çekirdek kahveyi öğütmek dışında herhangi bir başka amaç için kullanmayın.

Bu elektrikli alet, yalnızca ev içi kullanım için tasarlanmıştır. Kullanım amacı dışında başka bir amaç için kullanmak bir yıllık garantisini geçersiz kılacaktır.

Açık havada kullanmayın.

Öğütücünün içine veya öğütücü haznenin içine herhangi bir alet yerleştirmeyin.

Bu ürün neodimyum mıknatıslar içerir. Çocukların NEODİMYUM mıknatıslar ile oynamasına ASLA izin verilmemelidir. Nispeten küçük mıknatıslar bile yutulduğunda ciddi yaralanmalara sebep olabilir. Tüm neodimyum mıknatısları çocukların ulaşamayacağı yerlerde saklayın.

Mıknatıslar ve manyetizm yüzünden zarar görebilecek tüm objeler arasında bir emniyet mesafesi (En az 10 cm) oluşturun ve neodimyum mıknatıslarının 'sıradan' mıknatıslardan on kat daha güçlü olduğunu unutmayın! Mekanik saatler, kalp pilleri, CRT (Katot Işınlı Tüp) monitörler ve televizyonlar, kredi kartları, disketler ve video kasetler gibi diğer manyetik olarak kayıtlı medya da dâhil tüm öğeler güçlü mıknatıslardan etkilenir.

Elektronik bir terazi üzerinde manyetik toplama haznesini kullanmayın. Manyetik toplama haznesi, elektronik terazinin doğruluğunu engelleyebilir ve hatta teraziye

zarar verebilir. Elektronik terazi üzerinde manyetik toplama haznesinin kullanımı tavsiye edilmez.

Yangın ya da elektrik çarpması riskini azaltmak için alt kapağı altlıktan sökmeyin ya da öğütücüyü herhangi bir biçimde demonte etmeyin. İçinde kullanıcının müdahale edebileceği herhangi bir parça bulunmamaktadır. Tamirati yalnızca yetkili servis personelleri tarafından yapılmalıdır. Öğütücünün altlığını açmak, bir yıllık garantisinin geçersiz kılınması ile sonuçlanacaktır.

Patlayıcı ve/veya yanıcı dumanların varlığında çalıştırmayın.

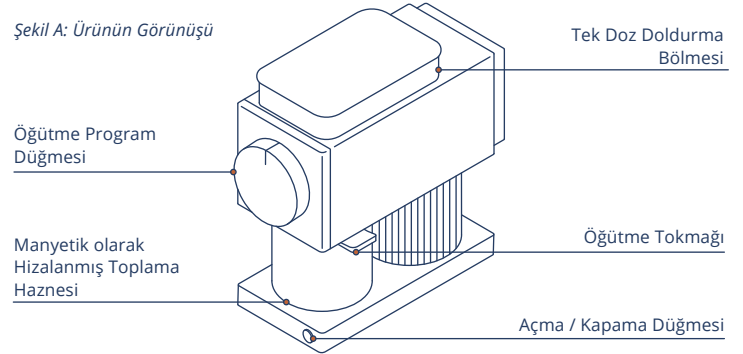
Doğru kullanım için, bu cihazı kesintisiz iki döngü arasında korunan en az 90 saniyelik dinlenme süresi ile her seferinde 90 saniyeden daha az bir süre ile çalıştırın.

Öğütücü 10 dakika içinde kesintisiz olarak 6 dakika çalışamaz ve çalışma süresi 6 dakikayı geçerse 30 dakika dinlenmelidir.

## SADECE EVDE KULLANIMA UYGUNDUR. KULLANMA TALİMATLARINI SAKLAYIN.

### TEMİZLEME VE KULLANIM

Şekil A: Ürünün Görünüşü



## DİKKAT!

Açmadan ve öğütücüyü kullanmadan önce lütfen tüm kullanma talimatlarını baştan sona okuyun.

Temizlemek için aşındırıcı bezler, sert kimyasallar veya sprey temizleyici kimyasallar kullanmayın. Bunlar cihazınızın yüzeyine zarar verebilir.

Öğütücünüzün herhangi bir parçasını bulaşık makinesine koymayın.

### Kullanmadan Önce

Sabit çıkartmalar ve ipleri ile beraber asma etiketleri de dâhil tüm çıkartmaları, açıklamalı etiketleri, kablo bağlarını ve ambalaj malzemelerini çıkarın ve geri dönüşüm kutusuna veya çöpe atın.

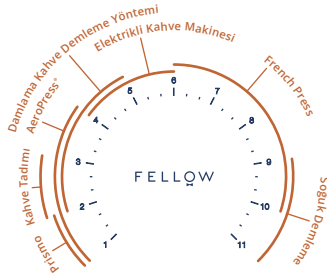
Temizlemeden önce çekirdekleri/telveleri çarklardan ve öğütme haznesinden boşaltmak için öğütücüyü 10 saniye süre ile kahve çekirdekleri olmadan çalıştırmanızı öneririz.

Her zaman temizlemeden önce güç kablosunu elektrik prizinden çıkarın.

Öğütücünün gövdesini yumuşak, nemli bir bezle silin. Manyetik olarak hizalanmış toplama haznesini ve toplama haznesinin kapağını aşağıya doğru silin ve iyice kurulaşın.

Öğütücüyü düz bir zemin üzerine koyun ve doğru voltajdaki bir fişe takın.

Şekil B:  
Öğütme Kılavuzu



### Nasıl Kullanılır?

1. Öğütme program düğmesini sola ya da sağa çevirerek öğütme büyüklüğünü seçin (1= ince, 10= kalın). Seçiminizi yapmanıza yardımcı olması için Öğütme Kılavuzumuza (Şekil B) göz atın.

*Çarklar "öteceğinden" ve birbirine çarpacağından dolayı lütfen ilk 10 lbs'lik (4,54 kg'lık) kahveniz için ayar 11 kullanmayın. Öğütücünüz ayar 1'de ve "sıfır noktası"na (çarkların birbirlerine değdikleri ayar) kalibre edilmiş olarak gelir. Çarklar kullanıldıkça, çarkların temas ayarı normal olarak bir nebze kayacaktır ve bu sebeple ayarların bir dereceye kadar iri taneye doğru kayması beklendiktir. (Çarkların dokunma/sıfır noktası hakkında daha fazla bilgi için lütfen 13. sayfaya bakın).*

2. Kapağı, tek doz doldurma bölmesinden kaldırarak çıkarın.
3. En fazla 80 g / 2,8 ons olacak şekilde, arzu edilen miktarda kavrulmuş kahve çekirdeklerini doldurma bölmesinin içine dökün. Kapağı yerleştirin. Toplama haznesinin boşaltma oluğunun tam altında ve boş olduğundan emin olun.

*Toplama haznesini boşaltmadan 80 g'dan fazla kahveyi öğütmeyin. Toplama haznesinin fazla dolmasına izin vermek, öğütücünün sıkışmasına neden olabilir.*

4. Açma / kapama düğmesine basın. Öğütücü öğütmeye başlayacak ve çekirdekleriniz öğütüldüğünde otomatik olarak duracaktır. VEYA açma / kapama düğmesine basın ve 1,5 saniyeden fazla basılı tutun. Öğütücü, düğme serbest bırakılana değin öğütecektir.

### Genel Temizlik

Öğütücü günlük olarak kullanılıyorsa, çarklar tablet kullanılarak (aşağıdaki Otomatik Temizlik bölümüne bakın) ya da sert bir fırça ile en az üç ayda bir temizlenmelidir.

Çarkları temizlemek için, "Çarkları Çıkarma ve Yerleştirme". bölümündeki talimatlara uyarak çarkları çıkarın..

Öğütücüyü su içine sokmayın. Çarkları su ile YIKAMAYIN.

Ürün fişe takılı iken parmaklarınızı asla öğütme oluğunun içine sokmayın.

Ürünle birlikte gelen fırçayı kullanarak çarklardaki kahve tozlarını nazikçe fırçalayın ve "Çarkları Çıkarma ve Yerleştirme" bölümündeki talimatlara uyarak çarkları yerine yerleştirin.

Toplama haznesini yumuşak bir bez ve sabunlu ılık su ile nazıkçe silerek temizleyin. Temizledikten sonra kuru bir bez ile kurulayın.

Öğütücünün dışını ve doldurma bölmesini yumuşak ve nemli bir bez ile silin.

### Otomatik Temizlik

Öğütücünüzü temizlemenin hızlı yolu, Urnex Grindz™ öğütücü temizleme tabletleri gibi öğütücü temizleme tabletlerinden kullanmaktır. Bunlar çarklara takılmış kahve partiküllerini serbest bırakarak, kokuları ve kahve yağı tortularını absorbe ederek/yok ederek tıkanmayı engellemek için tasarlanmıştır.

Temizleme tabletlerini kullanmak için öğütücünüzü 10-20 saniye çalıştırarak tüm çekirdeklerin öğütücünüzün içinden geçtiğine emin olun. Öğütücünün içine uygun miktarda tablet koymak için temizleme tableti talimatlarını kullanın. Öğütücü ayarını 11'e getirin ve öğütücüyü çalıştırmak için açma/kapama düğmesine basın. Tabletlerin tümünü toplama haznesinin içine öğütün. Bu işlem tamamlandığında tablet kalıntılarının temizlenmesi için yaklaşık 30 g kahvenin öğütülmesini öneririz. Toplama haznesindeki öğütülmüş tabletleri/kahveyi dökün ve hazneyi temizleyin.

## BAKIM

### Sıkışmış bir Öğütücüyü Temizleme

Ara sıra Ode Brew Grinder (Ode Kahve Öğütücü) sıkışabilir ve öğütmeyi bırakabilir. Bu durum meydana geldiğinde, öğütücü, haznesindeki tüm kahveyi bitirmeden önce öğütmeyi durduracak ve "SOS" (gemimizi kurtar) uyarısı verecektir.

Ufak sıkışmalar aşağıda belirtildiği şekilde temizlenebilir:

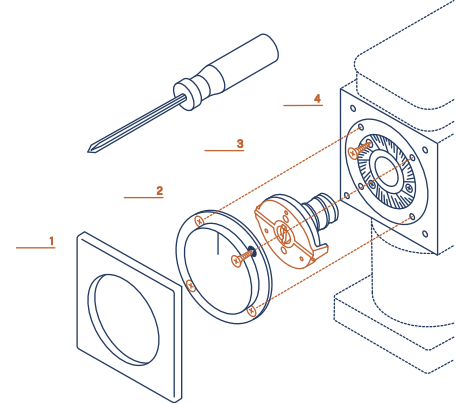
1. Toplama haznesinin boş olduğundan emin olun. Öğütme program düğmesini çevirip ayar 11'e getirin.
2. Öğütücünün kenarlarına sıkı bir şekilde birkaç kez hafifçe vurun ve öğütücüyü sallayın.
3. Açma/kapama düğmesine basın ve öğütücünün kenarlarına sıkı bir şekilde hafifçe vurmaya birkaç saniye daha devam edin. Öğütme işlemi yeniden başlarsa, sıkışma giderilmiştir. Eğer başlamazsa, büyük bir sıkışmayı temizlemek için verilen talimatlara geçin.

Büyük sıkışmalar aşağıda belirtildiği şekilde temizlenebilir:

1. Öğütücüyü fişten çıkarın.
2. Bu kılavuzun "Çarkları Çıkarma ve Yerleştirme" bölümünde belirtildiği gibi çarkları çıkarın.
3. Öğütme haznesinden bulunan kahveyi boşaltın ve atın.
4. Çarklarda çarklara takılabilecek kahve çekirdeklerinin ya da yabancı cisimlerin (taşlar, parçalar, kavrulmamış kahve çekirdekleri vb.) olup olmadığını kontrol edin. Takılmış kahve çekirdeklerini çıkarın ve bu kılavuzun "Temizlik" bölümünde tarif edildiği şekilde çarkları temizleyin.
5. Çarkları yeniden yerleştirin. Öğütücünün beklendiği şekilde çalışıp çalışmadığını kontrol etmek için öğütücüyü 5 saniyelik kahvesiz olarak çalıştırın. Öğütücü sessizce ve eşit bir hızda dönmelidir. Öğütücü beklenmedik bir ses çıkarırsa, bu işlemi tekrarlayın ve tüm kahve partiküllerinin temizlenmiş olduğuna emin olmak için öğütücüyü dikkatlice kontrol edin. Sorun devam ederse lütfen Fellow müşteri hizmetleri ile iletişime geçin.

Daha fazla yardım için [fellowproducts.com/odemanual](http://fellowproducts.com/odemanual) adresini ziyaret edin.

Şekil C: Parçaları Sökülmüş Görünüş

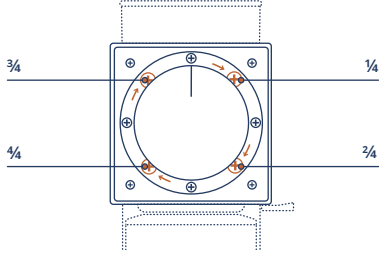


## Öğüten Çarkları Çıkarma ve Yerleştirme

**DIKKAT:** Öğüten Çarklar keskindir, lütfen dikkatli şekilde tutun.

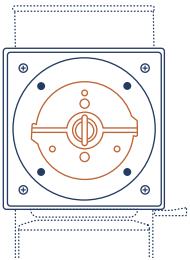
1. Öğütücünüzü fişten çıkarın ve içindeki kahveyi boşaltın.
2. Öğütücünün çerçevesini çıkararak işe başlayın. Çerçeve kolayca takılıp çıkarılabilir. Çıkarmak için çerçeveyi üstünden nazikçe çekin.
3. Bir yıldız tornavida kullanarak kendilerini işaret eden oklara sahip dört adet büyük boy vidayı sökün. Referans için *Şekil D'ye* bakın.

Şekil D



4. Öğütme program düğmesini demonte etmek için öğütme program düğmesini çekin.
5. Dönen çarkı/burguyu (size en yakın olan çark), burgu anahtarını ve yayı içe doğru bastırarak öğütme haznesinden dikkatlice çıkarın. Çıkardığınız parçaları kaybetmemeye özen gösterin. Referans için *Şekil E ve F'ye* bakın.

Şekil E

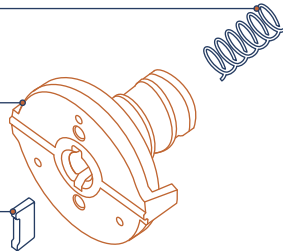


Şekil F

Yay

Dönen Çark  
ve Burgu

Burgu Anahtarı



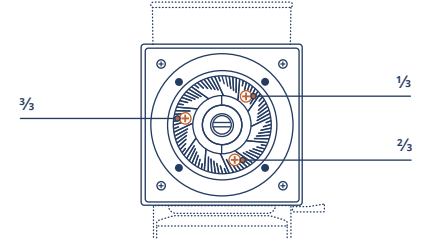
Eğer sadece temizliyorsanız, çarkları daha fazla demonte etmeyin. Ürünle birlikte gelen fırçayı kullanarak, çarklardaki kahve tozlarını nazikçe fırçalayın ve çarkları yerlerine yerleştirin.

Eğer çarkları çıkarıyorsanız, sonraki adımları takip edin.

6. Sabit çark, öğütme haznesine bağlıdır. Bu sabit çarkı çıkartmaya, onu yerinde tutan üç vidayı sökmek için yıldız bir tornavida kullanarak başlayın. Eğer bu vidalarda sökmeyi engelleyen öğütülmüş kahve varsa, vidaları sökmeye yeltenmeden önce bu öğütülmüş kahveyi temizlemek için küçük bir fırça kullanın.

Sabit çarkı dikkatli bir şekilde çıkarın. Şekil G

Şekil G

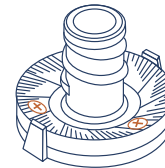


7. Dönen çark burguya bağlıdır. Bu dönen çarkı çıkartmaya, onu yerinde tutan üç vidayı sökmek için yıldız bir tornavida kullanarak başlayın. Eğer bu vidalarda sökmeyi engelleyen öğütülmüş kahve varsa, vidaları sökmeye yeltenmeden önce bu öğütülmüş kahveyi temizlemek için küçük bir fırça kullanın. Şekil H ve I'ya bakın.
8. Dikkatli bir şekilde dönen çarkı burgudan kaldırın.

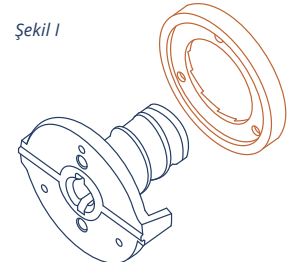
Çarkları yeniden yerleştirmek için bu adımları ters sırada tekrarlayın.

Dönen çarkın yeniden burguya bağlandığından ve sabit çarkın yeniden öğütme haznesine bağlandığından emin olun.

Şekil H



Şekil I



## Ode Kahve Öğütücünüzü Kalibre Etme

Ode Kahve Öğütücüsü, kahve yapmak için tasarlanmıştır ve pek çok espresso makinesi için yeterli incelikte öğütme yapamaz. Ancak, AeroPress® Kahve Makinesi, Prismo, Hario V60 veya diğer kahve yapma metotları için ince öğütme yapmak isterseniz, bu aralığa daha iyi biçimde ulaşabilmek için öğütücünüzün çarklarının dokunma ya da "sıfır noktası"nın doğru şekilde kalibre edilmiş olduğuna emin olmak isteyebilirsiniz.

Öğütücünüz, çarkları ayar 1'de temas edecek şekilde kalibre edilmiş olarak gelir. Çarklar kullanıldıkça, çarkların temas ayarı normal olarak bir nebze kayacaktır ve bu sebeple ayarlarının bir dereceye kadar iri taneye doğru kayması beklendiktir. Çarklar "öteceğinden" ve birbirine çarpacağından dolayı, lütfen ilk 10 lbs'lik (4,54 kg'lık) kahveniz için ayar 1'i kullanmayın.

Ürününüzün size ulaşmasının akabinde, çarkların ayar 1'de çıktığı öğütme, öğütücünüzün kalibre edildiğine işaret eder. Kalibre edilmiş öğütücüler, tüm ayarlardaki öğütme öğelerine uyar. Bu, öğütücünüzün kullanım ömrü boyunca istikrarlı öğütme performansı sağlamasına yardımcı olur. Öğütücünüz ilk kez elinize ulaştığında, ayar 1'de çarklarından öğütme sesi duymadığınız takdirde, sizin öğütme boyutunuz aynı ayarda kalibre edilmiş bir öğütücüye kıyasla daha kalın olacaktır.

Nasıl kalibrasyon yapıldığına dair videoları izlemek için lütfen [Fellowproducts.com/odemanual](https://www.fellowproducts.com/odemanual) adresini ziyaret edin.

## Bu ürünün doğru şekilde atılması



Bu işaret, bu ürünün tüm AB ülkelerinde diğer evsel atıklarla birlikte atılmaması gerektiğini gösterir. Kontrolsüz atık atımı nedeniyle çevre veya insan sağlığının zarar görmesi olasılığını engellemek için malzeme kaynaklarının sürdürülebilir şekilde yeniden kullanımını desteklemek üzere sorumluluk olarak geri dönüşüme verin. Kullanılmış cihazınızı geri vermek için lütfen iade ve toplama sistemlerini kullanın veya ürünün satın alındığı bayiyle temas kurun. Çevre açısından güvenli geri dönüşüm için bu ürünü alabilirler.

## GARANTİ

Ode Kahve Öğütücünüz hakkında servis, tamirat ya da başka konular ile ilgili sorularınız için lütfen [help.fellowproducts.com](https://www.fellowproducts.com) adresini ziyaret edin ve bir talep gönderin. İlk olarak bir Fellow müşteri hizmetleri temsilcisi ile görüşmeden, ürünü üreticiye POSTALAMAYIN ya da bir servis merkezine götürmeyin.

### Bir yıllık sınırlı garanti

Fellow, bu ürünün kusurlu malzeme ya da işçilik hatası sebebiyle oluşan tüm arızalarına karşı, tüketicinin ilk satın alış tarihinden başlamak üzere bir yıllık garanti vermektedir.

### Bu garanti yalnızca:

İlk tüketiciler için,

Öğütücü, yetkili satış bayileri aracılığıyla satın alındığında,

Garantiyi talep etmeniz için gerekli satın alma kanıtı olan orijinal satış makbuzu ile birlikte geçerlidir

### Bu garanti:

Kaza, yanlış kullanım ya da yetkili olmayan kişiler tarafından tamir,

Yanlış akım ya da voltaj türü ile beraber çalıştırma,

Öğütücü için verilen temizleme talimatlarına uymama,

Bu belgede yer alan uyarılar ve talimatlarda belirtilen güvenlik önlemlerine uymama,

Kavrulmuş kahve çekirdekleri dışında herhangi bir şeyi öğütme sonucu meydana gelen hasarları kapsamaz.

Ürün garanti süresi içinde arızalı hale gelirse ya da garanti ve servis hakkında sorularınız olursa, lütfen [help@fellowproducts.com](mailto:help@fellowproducts.com) adresini ziyaret edin ve bir talep gönderin.

Daha fazla bilgi edinmek için:  
[Fellowproducts.com/odemanual](https://www.fellowproducts.com/odemanual)



Find more information at:  
[Fellowproducts.com/odemannual](http://Fellowproducts.com/odemannual)